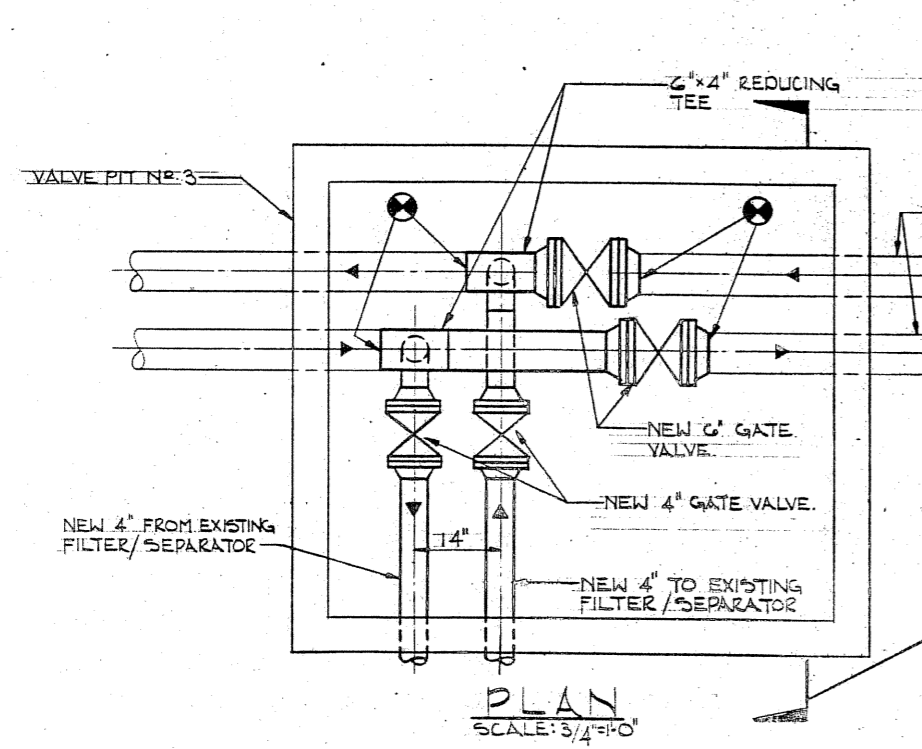
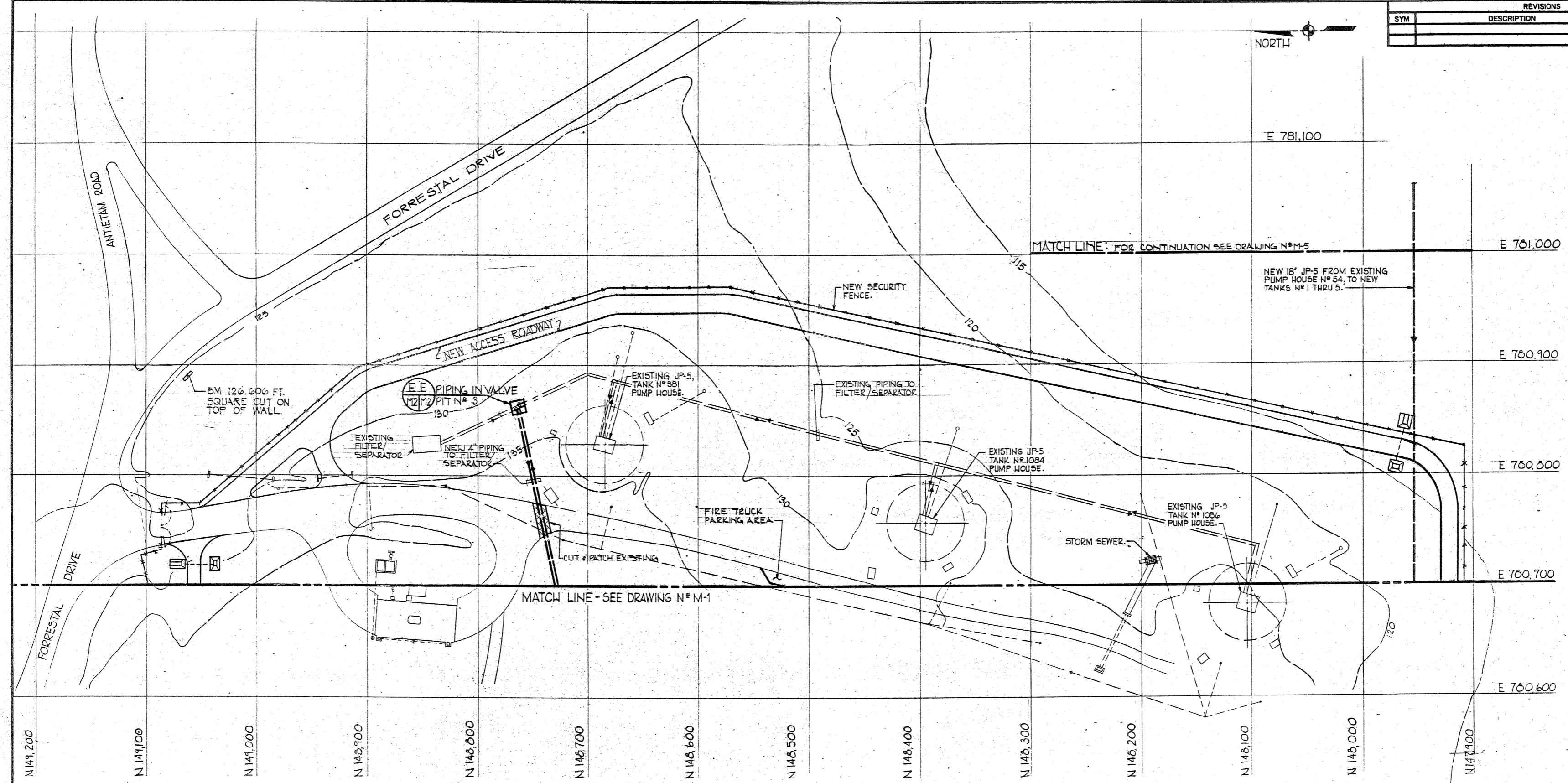
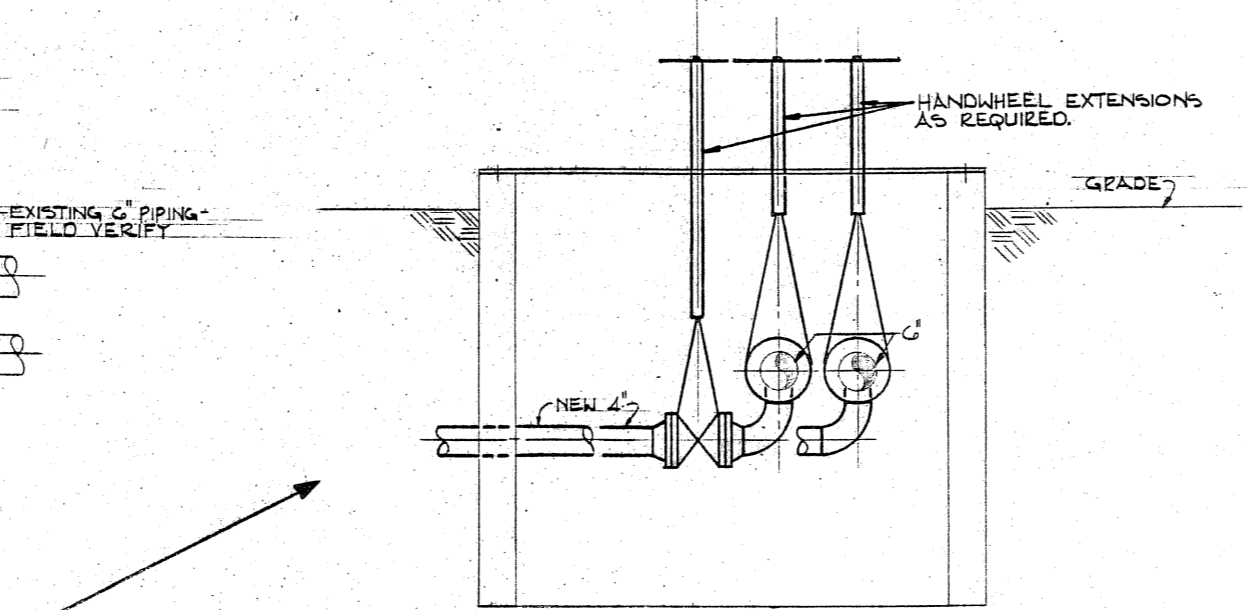


REVISIONS			
SYM	DESCRIPTION	DATE	APPROVED

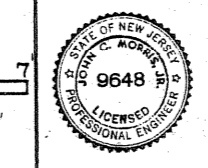
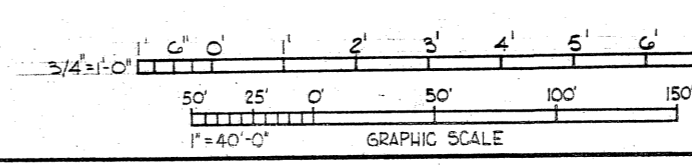


PLAN  
SCALE: 3/4" = 1'-0"



DETAIL EE  
PIPING IN VALVE PIT NO. 3  
SCALE: 3/4" = 1'-0"

SECTION  
SCALE: 3/4" = 1'-0"

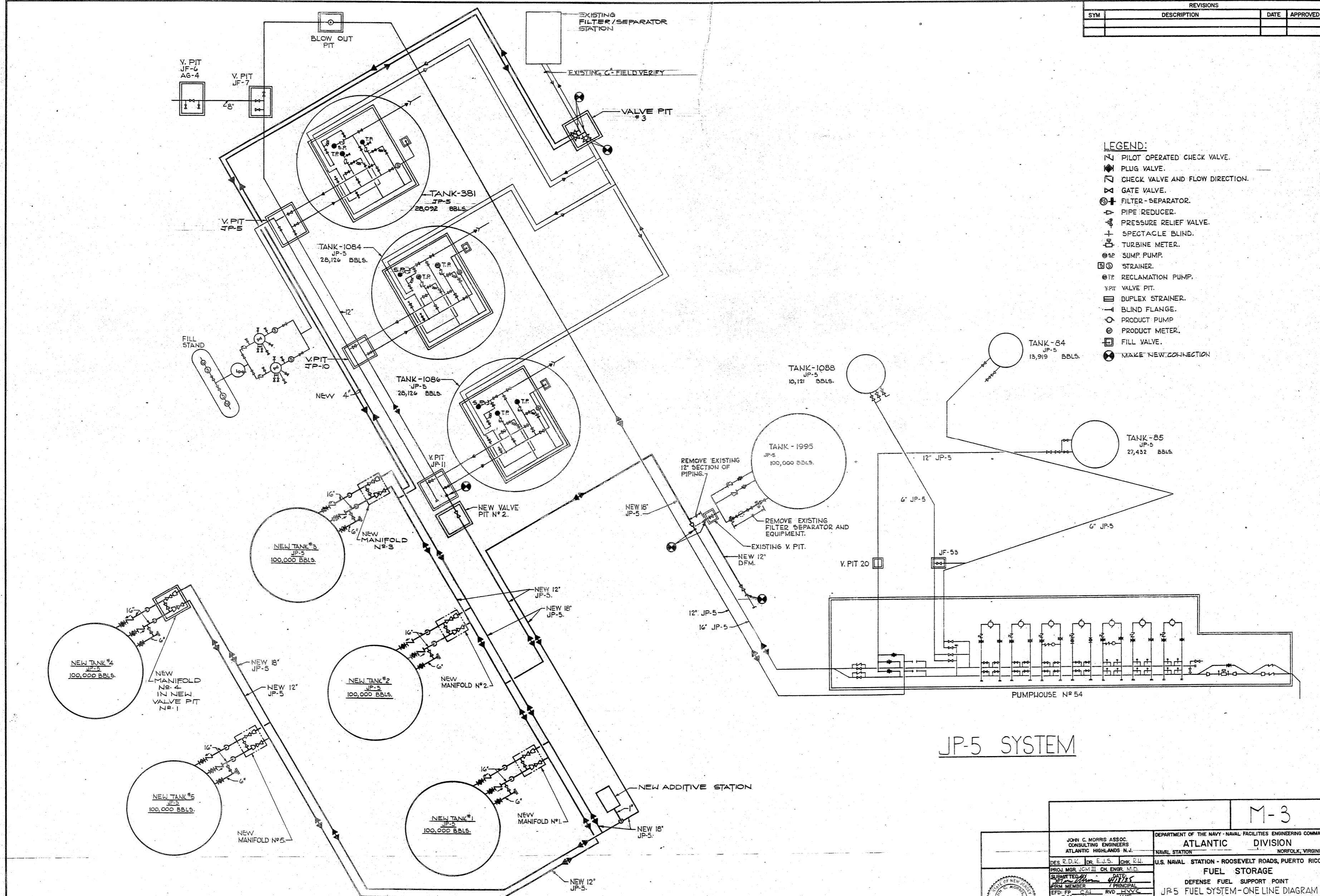


CHECK GRAPHIC SCALES BEFORE SCALING

M-2	
JOHN C. MORRIS ASSOC. CONSULTING ENGINEERS ATLANTIC HIGHLANDS, N.J.	DEPARTMENT OF THE NAVY - NAVAL FACILITIES ENGINEERING COMMAND ATLANTIC DIVISION NAVAL STATION NORFOLK, VIRGINIA U.S. NAVAL STATION - ROOSEVELT ROADS, PUERTO RICO
DES. R.K. DR. E.J.S. CHK. R.H. PROJ. MGR. J.C.M. CH. ENGR. M.D. SUBMITTED BY: [Signature] DATE: 11/27/54 FIRM MEMBER: [Signature] PRINCIPAL EFCD: FP, CAJ, RVD, L.V.V. HD: B.C. [Signature] DR: [Signature]	DEFENSE FUEL SUPPORT POINT FUEL STORAGE FIRE, FOAM, FUEL SYSTEMS - B
APPROVED: [Signature] DATE: 11/27/54 ACTIVITY SATISFACTORY TO: [Signature] APPROVED FOR: [Signature] DATE: 11/27/54 FOR EPD FOR COMMANDER NAVFAC	SIZE: F CODE IDENT NO: 80091 NAVFAC DRAWING NO: 4125060 CONSTR. CONTR. NO. N62470-63-B-3354 SHEET 26 OF 46 SCALE NOTED SPEC. 05-83-3354

EPD DWG. NO. 225060

REVISIONS			
SYM	DESCRIPTION	DATE	APPROVED

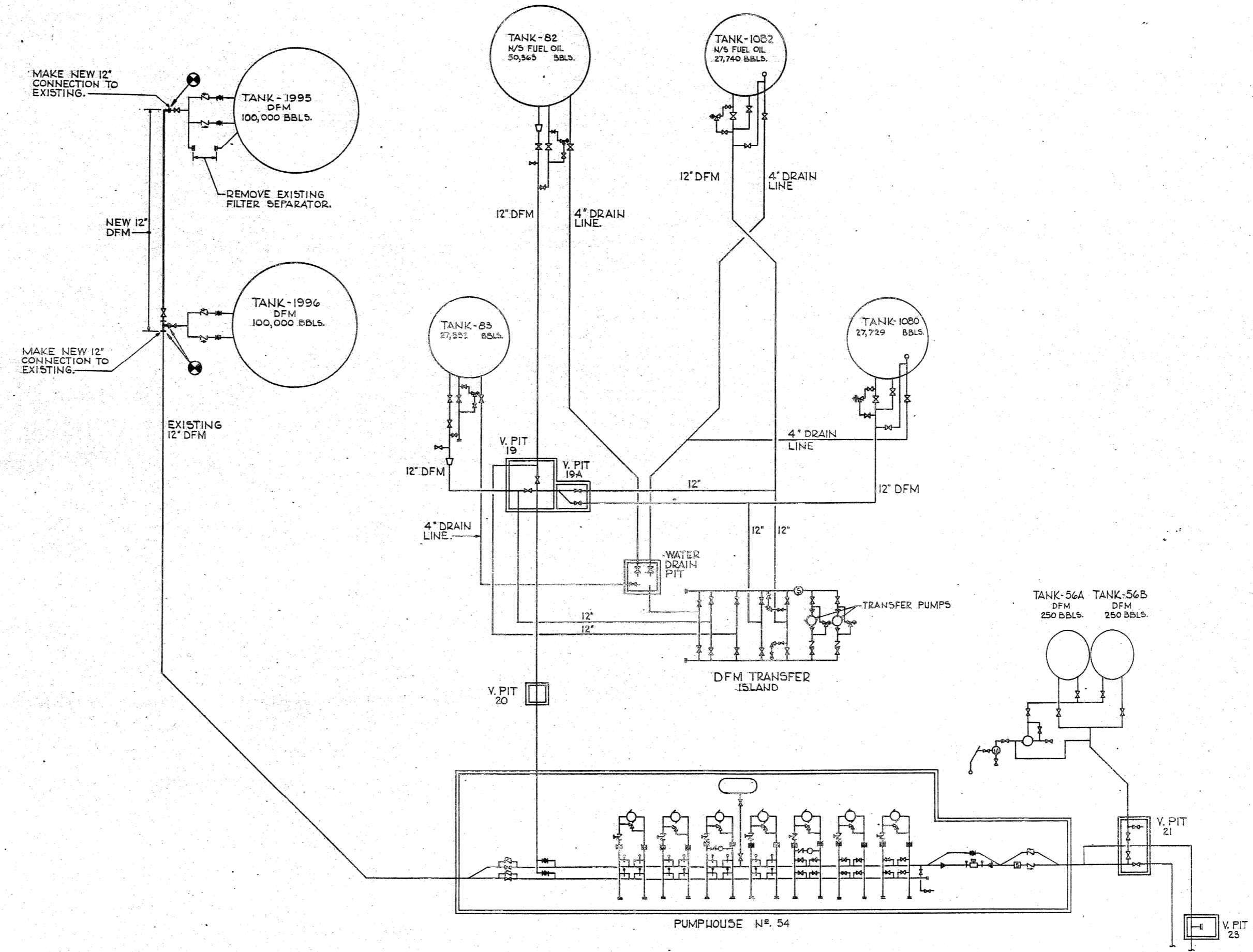


- LEGEND:**
- ⌘ PILOT OPERATED CHECK VALVE.
  - ⊕ PLUG VALVE.
  - ⌘ CHECK VALVE AND FLOW DIRECTION.
  - ⌘ GATE VALVE.
  - ⊕ FILTER-SEPARATOR.
  - ⌘ PIPE REDUCER.
  - ⊕ PRESSURE RELIEF VALVE.
  - ⌘ SPECTACLE BLIND.
  - ⊕ TURBINE METER.
  - ⊕ SP SUMP PUMP.
  - ⊕ STRAINER.
  - ⊕ TR RECLAMATION PUMP.
  - ⌘ Y.PIT VALVE PIT.
  - ⊕ DUPLEX STRAINER.
  - ⌘ BLIND FLANGE.
  - ⊕ PRODUCT PUMP.
  - ⊕ PRODUCT METER.
  - ⊕ FILL VALVE.
  - ⊕ MAKE NEW CONNECTION.

JP-5 SYSTEM

JOHN C. MORRIS ASSOC. CONSULTING ENGINEERS ATLANTIC HIGHLANDS N.J.		DEPARTMENT OF THE NAVY - NAVAL FACILITIES ENGINEERING COMMAND <b>ATLANTIC DIVISION</b> NAVAL STATION NORFOLK, VIRGINIA	
		U.S. NAVAL STATION - ROOSEVELT ROADS, PUERTO RICO <b>FUEL STORAGE</b> DEFENSE FUEL SUPPORT POINT <b>JP-5 FUEL SYSTEM-ONE LINE DIAGRAM</b>	
DES. R.D.K. DR. E.J.S. CHK. R.H. PROJ. MGR. J.C.M. CH. ENGR. M.D.	SUBMITTED BY: <i>[Signature]</i> FIRM MEMBER: <i>[Signature]</i> / PRINCIPAL EFD: FF C-23 RVD JLV/C HD: 22/10/23 DIR: <i>[Signature]</i>	SIZE: <b>F</b> CODE IDENT NO: <b>80091</b> NAVFAC DRAWING NO: <b>4125061</b> CONSTR. CONTR. NO. <b>N62470-63-B-3354</b>	DATE: <i>[Date]</i> SHEET 27 OF 46 EFD DWS. NO. <b>225061</b>

REVISIONS			
SYM	DESCRIPTION	DATE	APPROVED

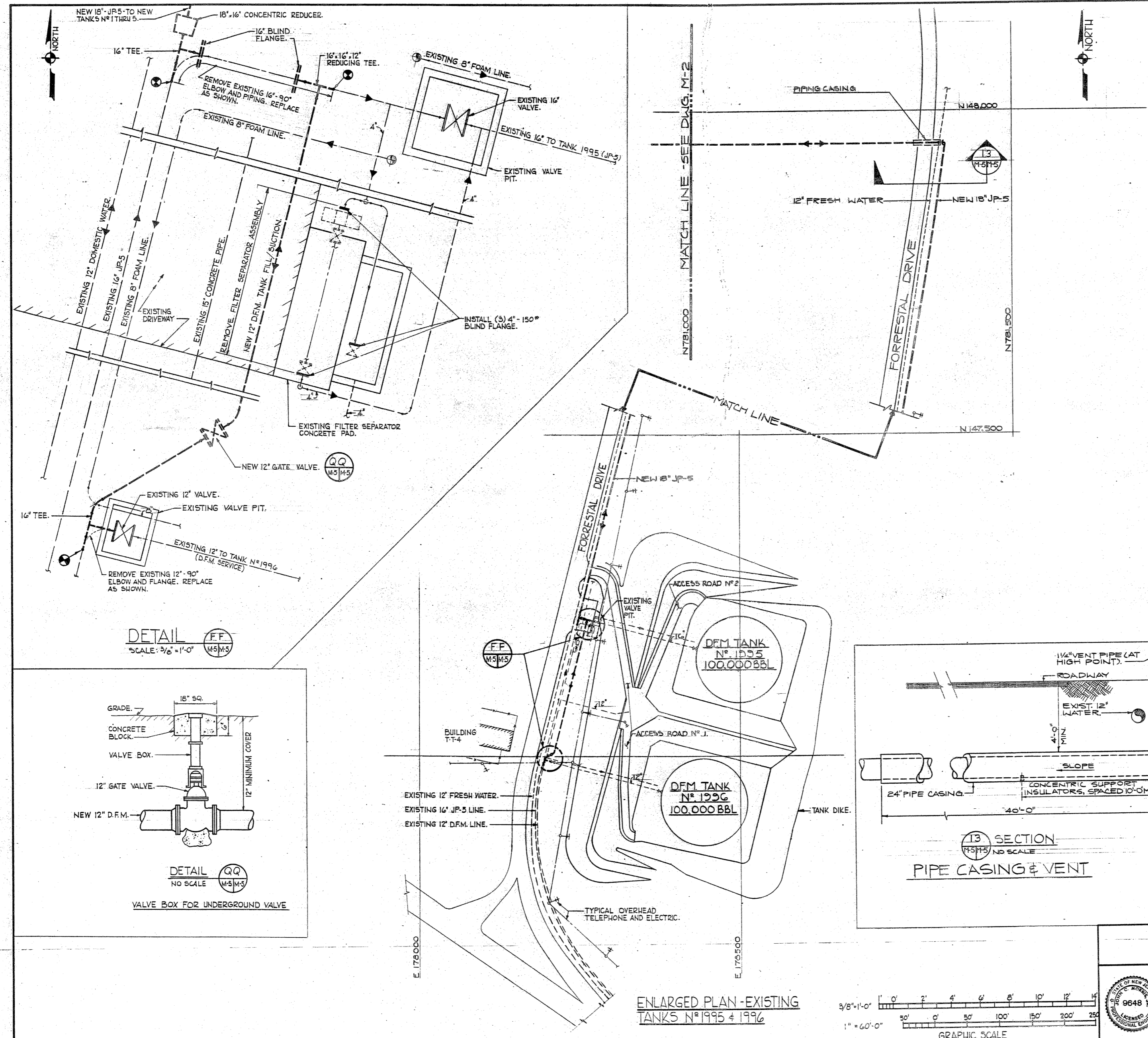


DFM SYSTEM

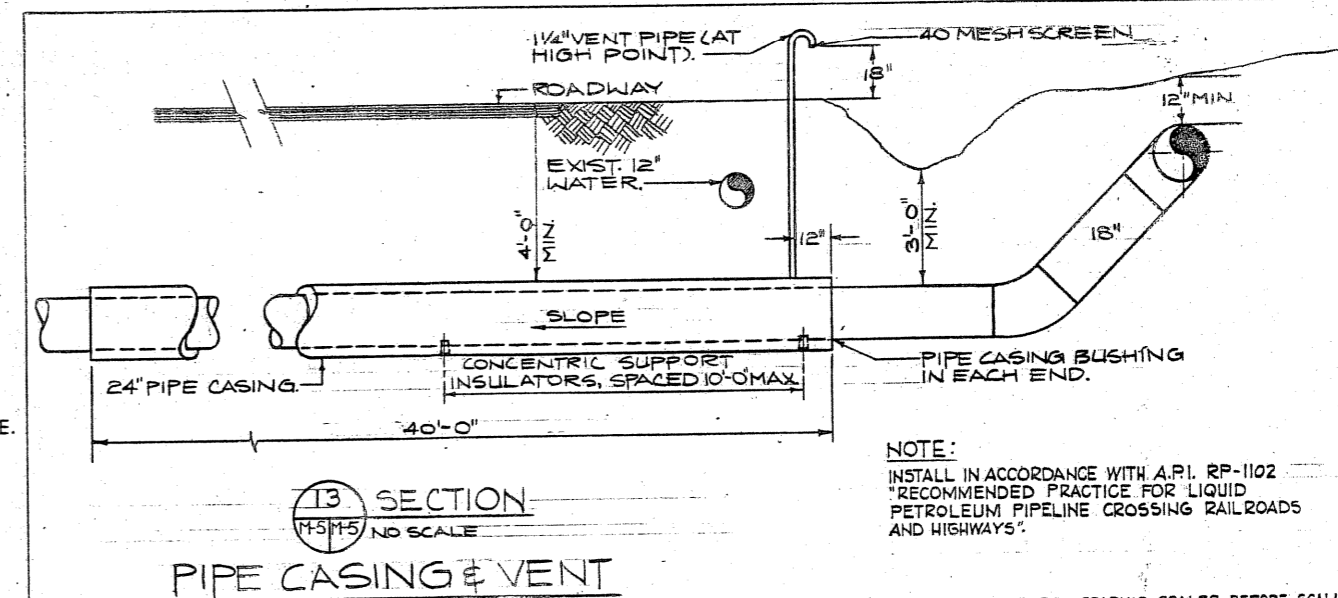
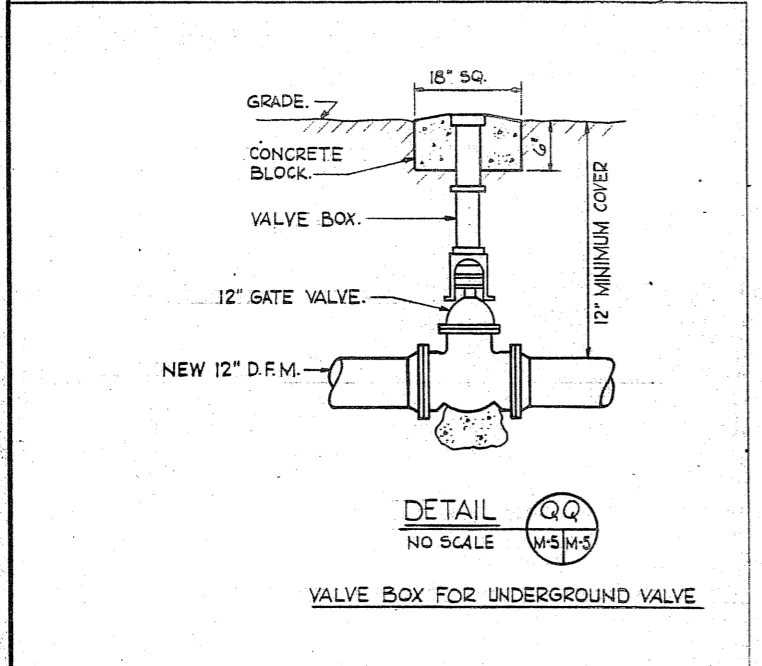
M-4

JOHN C. MORRIS ASSOC. CONSULTING ENGINEERS ATLANTIC HIGHLANDS, N.J.		DEPARTMENT OF THE NAVY - NAVAL FACILITIES ENGINEERING COMMAND ATLANTIC DIVISION NAVAL STATION NORFOLK, VIRGINIA	
DES. R.D.K. DR. E.J.S. CHK. R.H. PROJ. MGR. J.C.M. III CH. ENGR. N.D.		U.S. NAVAL STATION - ROOSEVELT ROADS, PUERTO RICO	
FUEL STORAGE DEFENSE FUEL SUPPORT POINT DFM. FUEL SYSTEM - ONE LINE DIAGRAM		NAVFAC DRAWING NO. 4125062	
SUBMITTED BY: <i>[Signature]</i> DATE: <i>[Date]</i> FIRM MEMBER: <i>[Signature]</i> PRINCIPAL		SIZE: F CODE IDENT NO: 80091	
EPD: FF: <i>[Signature]</i> RVD: <i>[Signature]</i> HD: <i>[Signature]</i> DIR: <i>[Signature]</i>		CONSTR. CONTR. NO. N62470-B-3354	
APPROVED: <i>[Signature]</i> DATE: <i>[Date]</i> ACTIVITY SATISFACTORY TO:		SCALE: NONE SPEC. 05-63-3354 SHEET 28 OF 46	
APPROVED FOR: <i>[Signature]</i> DATE: <i>[Date]</i> FOR EPD FOR COMMANDER NAVFAC		EPD DWG. NO. 225062	

REVISIONS			
SYM	DESCRIPTION	DATE	APPROVED

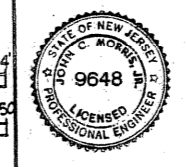
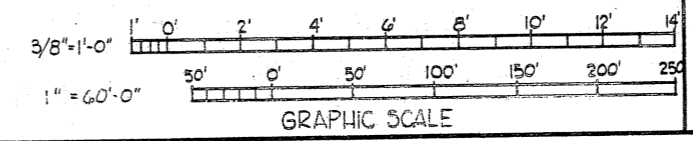


**DETAIL FF**  
SCALE: 3/8" = 1'-0"  
W.S.M.S.

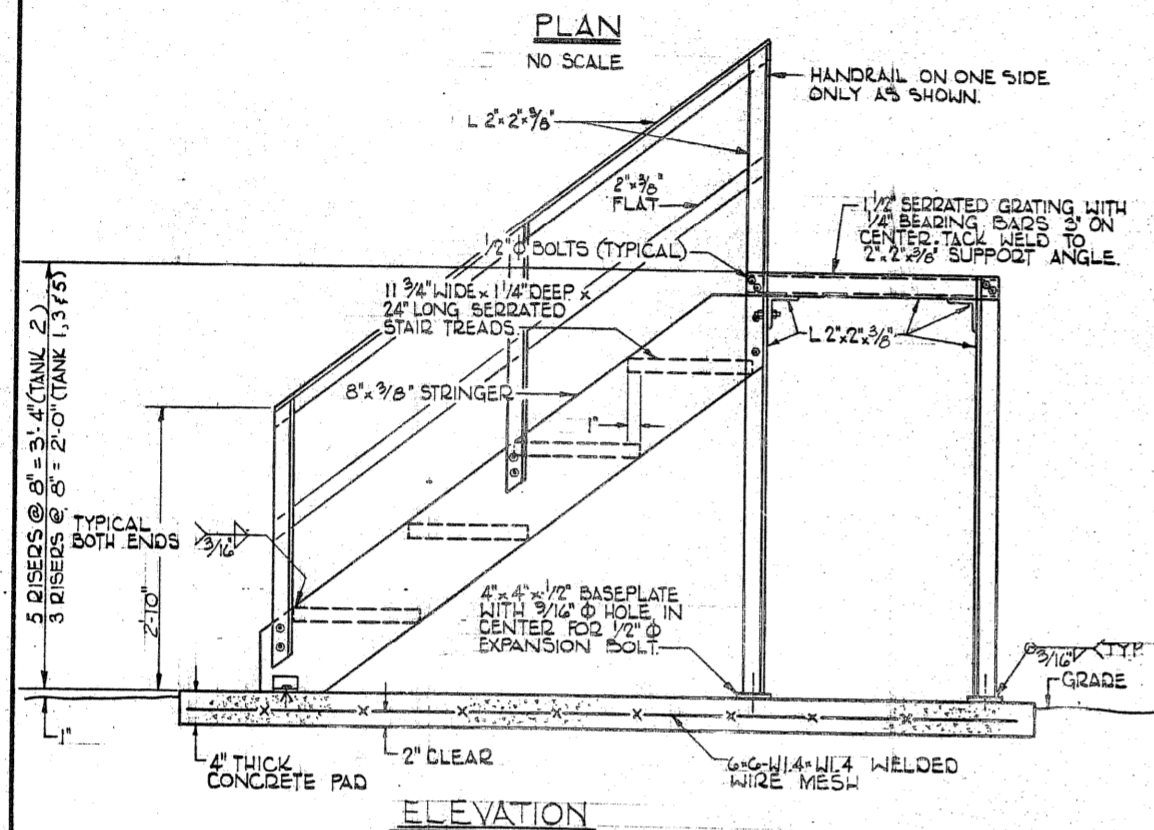
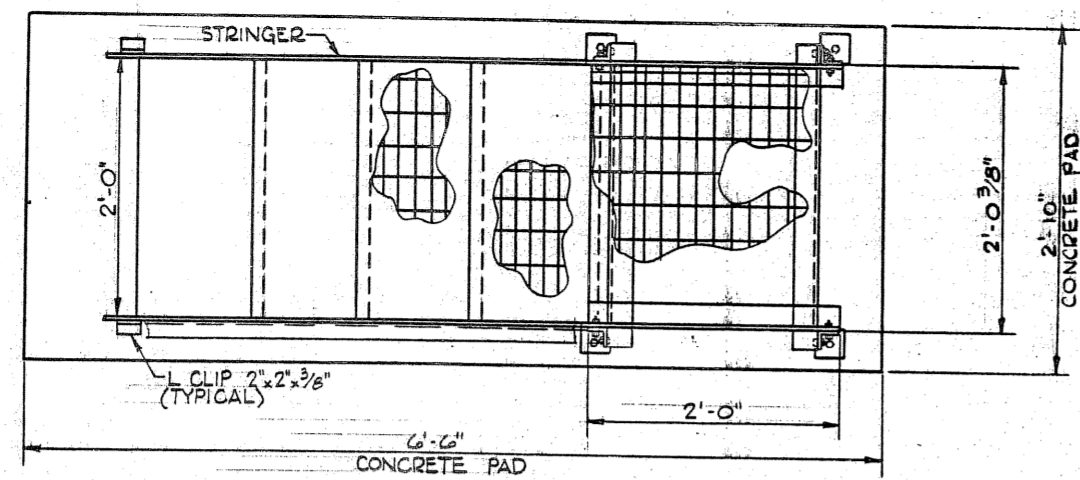


**T3 SECTION**  
NO SCALE  
PIPE CASING & VENT

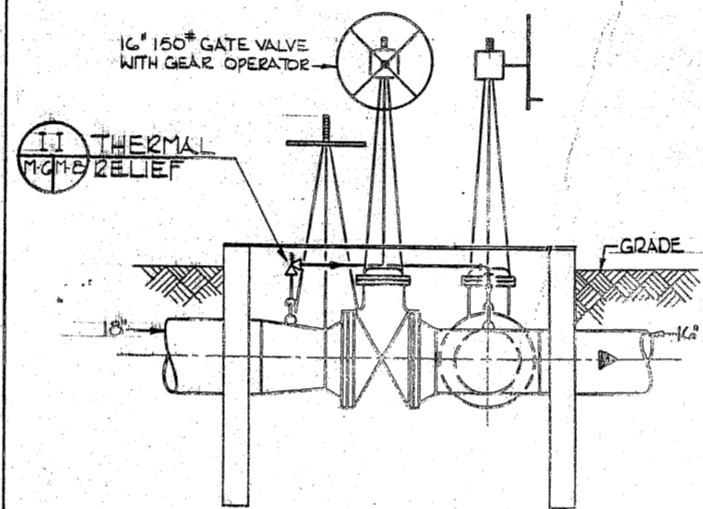
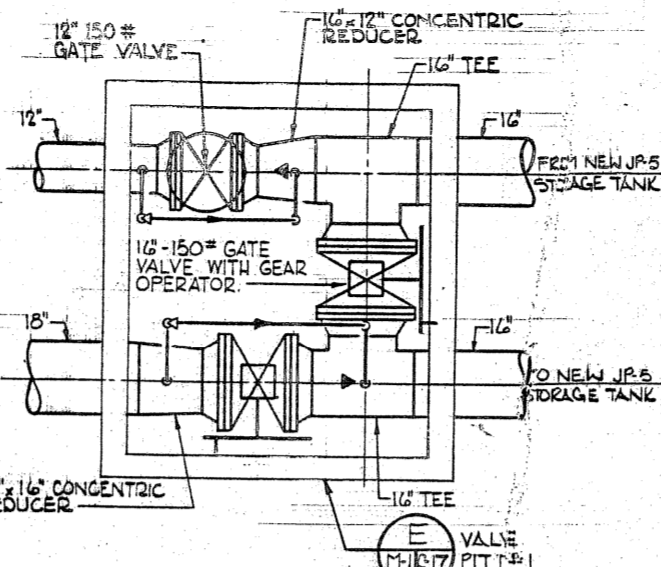
**ENLARGED PLAN - EXISTING**  
TANKS N° 1995 & 1996



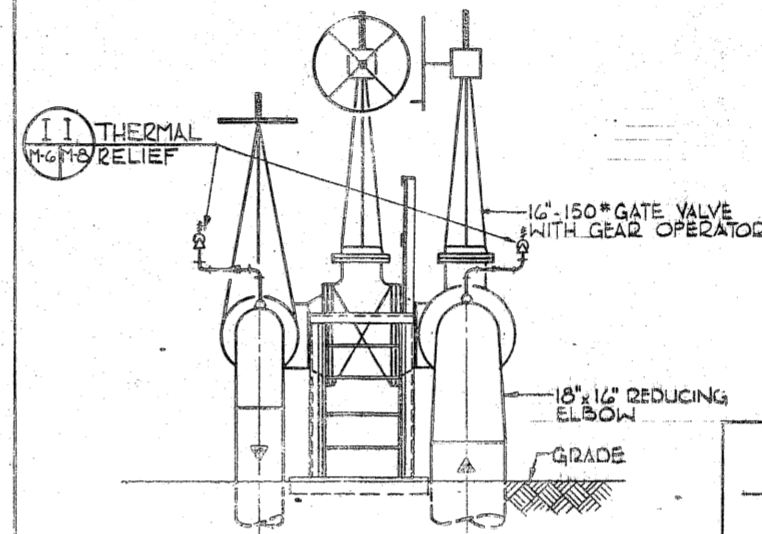
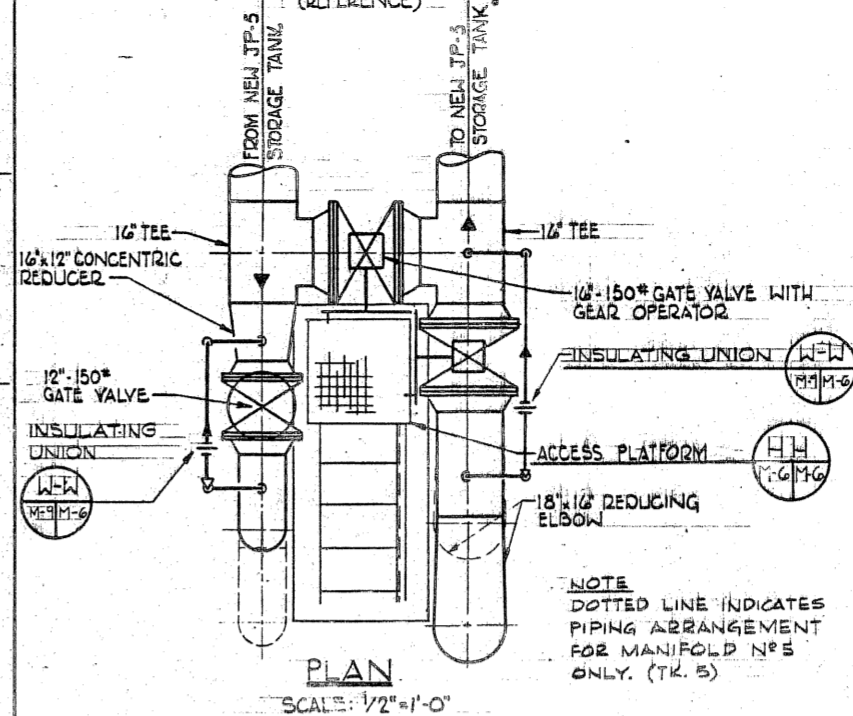
JOHN C. MORRIS ASSOC. CONSULTING ENGINEERS ATLANTIC HIGHLANDS N.J.		DEPARTMENT OF THE NAVY - NAVAL FACILITIES ENGINEERING COMMAND <b>ATLANTIC DIVISION</b> NAVAL STATION NORFOLK, VIRGINIA	
		U.S. NAVAL STATION - ROOSEVELT ROADS, PUERTO RICO <b>FUEL STORAGE</b> DEFENSE FUEL SUPPORT POINT TANKS 1995 & 1996 - PLAN & DETAILS	
DES. R.D.K. OR R.H. CHK. E.J.S. PROJ. MGR. J.C.M. CH. ENGR. M.D. SUBMITTED BY: <i>[Signature]</i> DATE: <i>1/27/85</i> FIRM MEMBER: <i>[Signature]</i> PRINCIPAL ISTD. NO. <i>12345</i> RVD. <i>[Signature]</i> HD. <i>[Signature]</i> DIR. <i>[Signature]</i>	SIZE: <b>F</b> CODE IDENT NO.: <b>80091</b> NAVFAC DRAWING NO.: <b>4125063</b>	SHEET <b>29</b> OF <b>46</b> EPD DWG. NO. <b>225063</b>	
APPROVED: <i>[Signature]</i> DATE: <i>1/27/85</i> ACTIVITY SATISFACTORY TO: <i>[Signature]</i> APPROVED FOR: <i>[Signature]</i> DATE: <i>1/27/85</i> FOR EPD FOR COMMANDER NAVFAC	SCALE NOTED: <b>AS SHOWN</b> SPEC: <b>05-83-3354</b>	<b>M-5</b>	



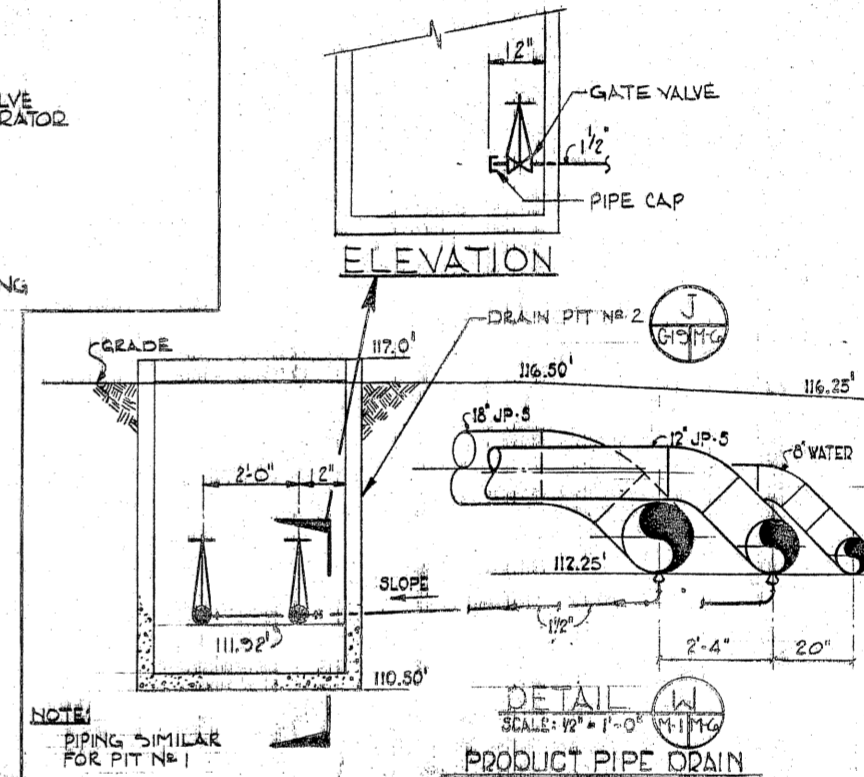
HH DETAIL  
ACCESS PLATFORM  
NEW TANK VALVE  
MANIFOLD N° 1, 2, 3 & 5  
NO SCALE



BB DETAIL  
NEW TANK VALVE  
MANIFOLD N° 4  
SCALE: 1/2" = 1'-0"

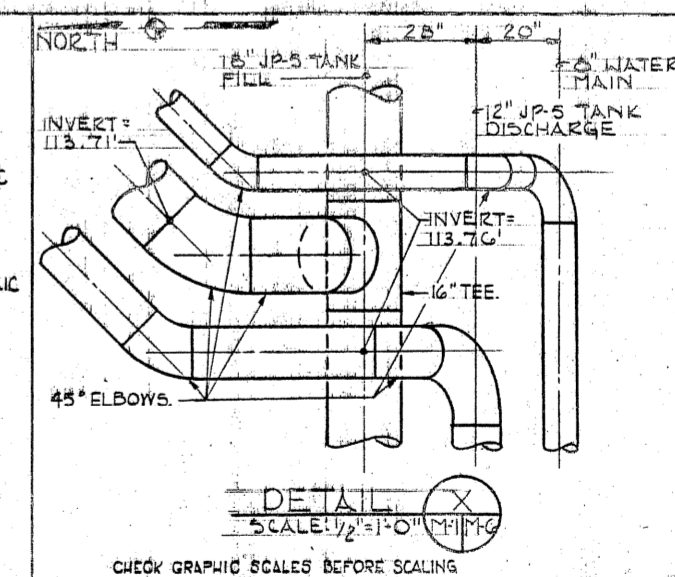
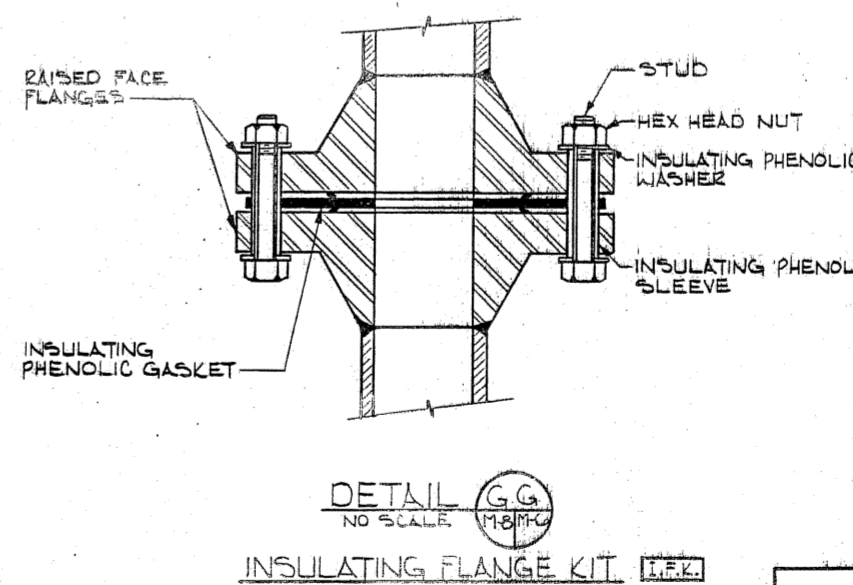
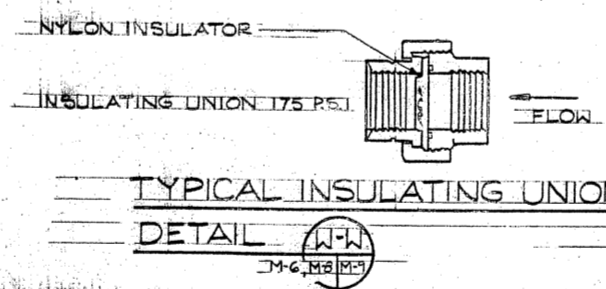


AA DETAIL  
NEW TANK VALVE  
MANIFOLD N° 1, 2, 3 & 5  
SCALE: 1/2" = 1'-0"

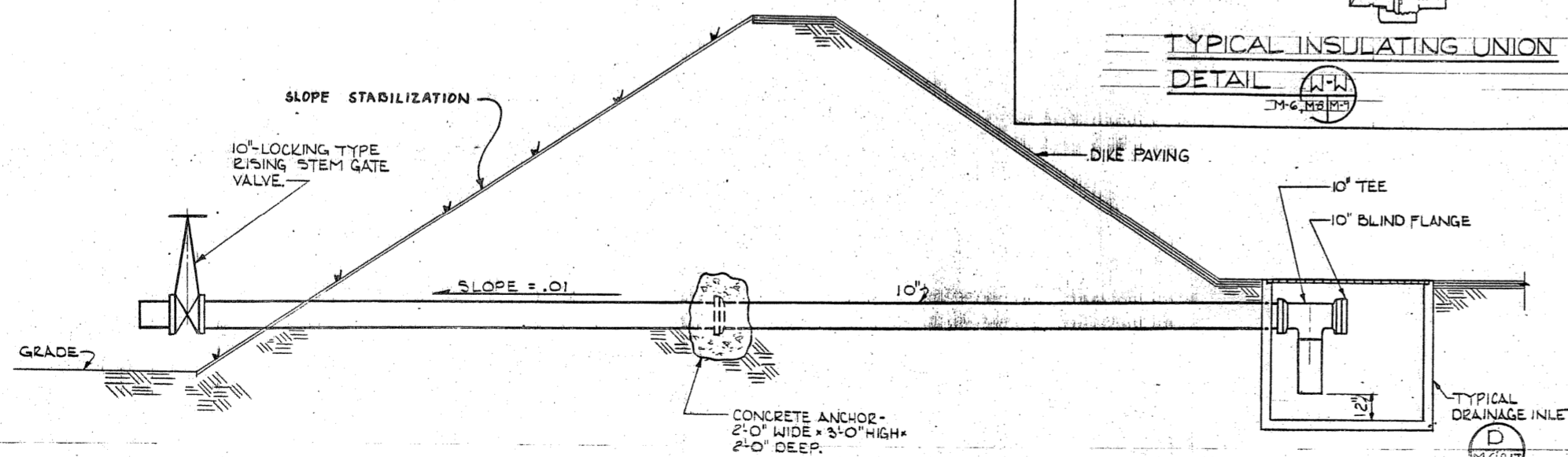


NOTE:  
PIPING SIMILAR  
FOR PIT N° 1

W DETAIL  
PRODUCT PIPE DRAIN  
SCALE: 1/2" = 1'-0"

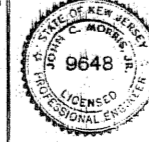
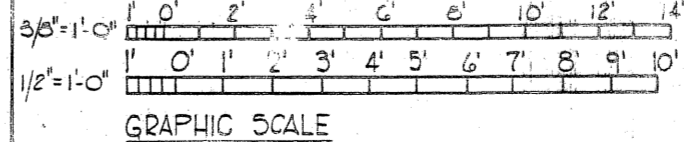


CHECK GRAPHIC SCALES BEFORE SCALING



NOTE:  
FOR INVERT ELEVATIONS  
SEE DRAWINGS C-4 THRU C-7.

12 SECTION  
TYPICAL SECTION AT DRAINAGE INLETS 1 THRU 5

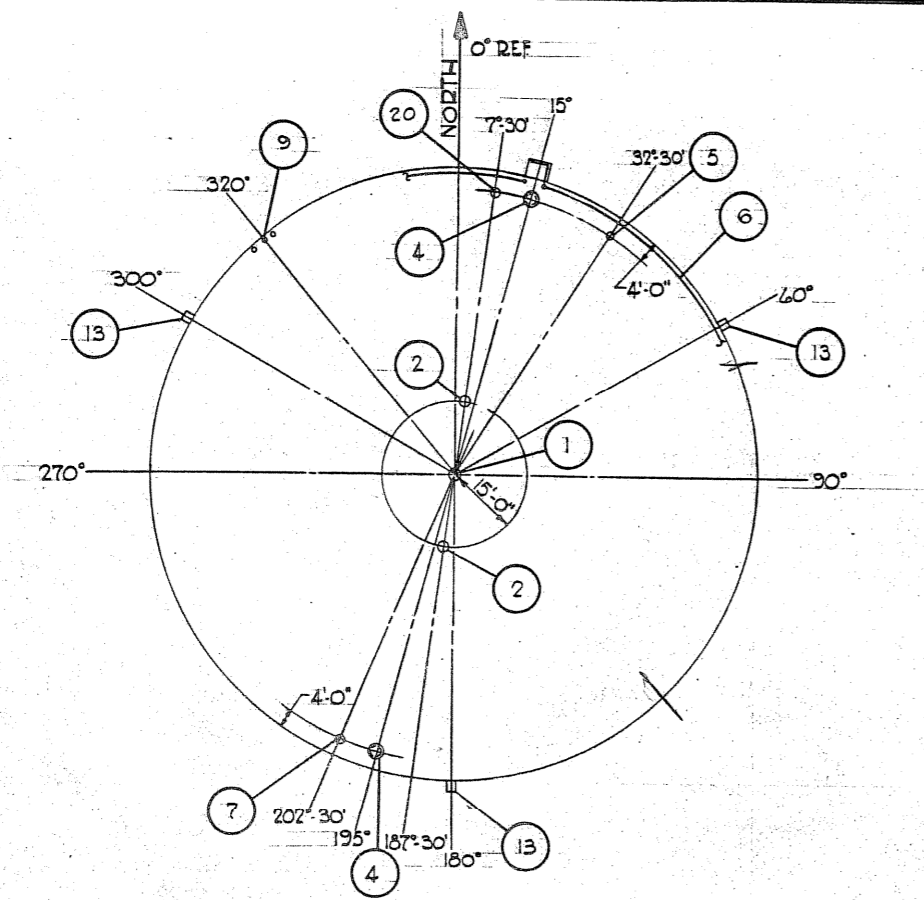


REVISIONS		DATE	APPROVED

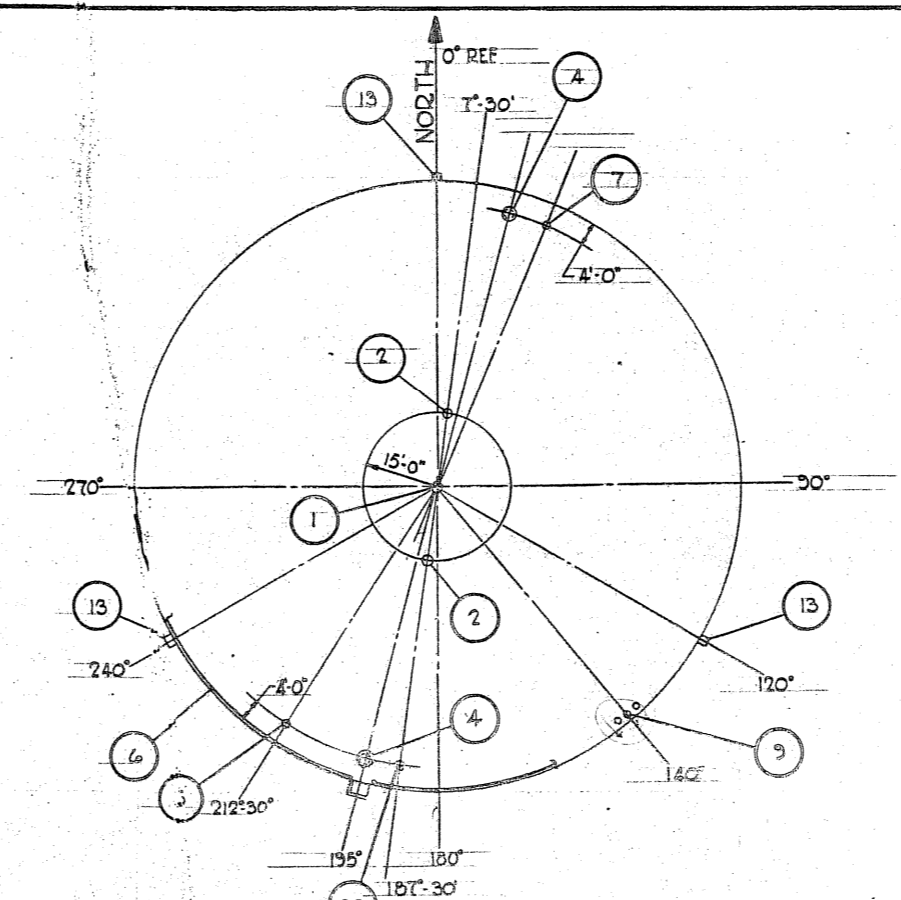
  

JOHN C. MORRIS ASSOC. CONSULTING ENGINEERS ATLANTIC HIGHLANDS N.J.		DEPARTMENT OF THE NAVY - NAVAL FACILITIES ENGINEERING COMMAND ATLANTIC DIVISION NAVAL STATION NORFOLK, VIRGINIA	
DES. R. H. DR. K. A. S. J. H. E. K.		U.S. NAVAL STATION - ROOSEVELT ROADS, PUERTO RICO	
PROJ. MGR. J. C. M. III. ENGR. C. D.		FUEL STORAGE	
SUBMITTED BY: [Signature]		DEFENSE FUEL SUPPORT POINT	
PRINCIPAL		PIPING DETAILS	
EFD: PP, CAS, RVD, HAVG		NAVFAC DRAWING NO. 4125064	
HD: [Signature]		SIZE CODE (ENT NO.) NAVFAC DRAWING NO. 4125064	
APPROVED DATE		F 80091 CONSTR. CONTR. NO. N62470-83-B-3354	
ACTIVITY SATISFACTORY TO		SCALE NOTED SPEC. 05-83-3354	
APPROVED DATE		SHEET 30 OF 46	
FOR EFD FOR COMMANDER NAVFAC		EFD: DWG. NO. 28064	

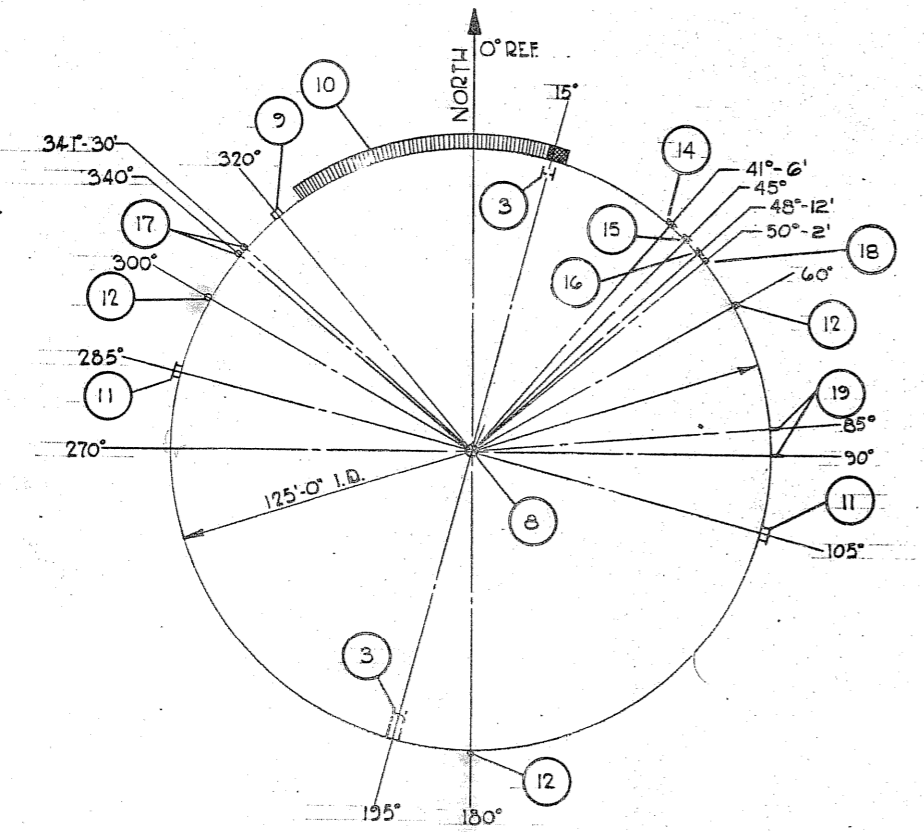
REVISIONS			
SYM	DESCRIPTION	DATE	APPROVED



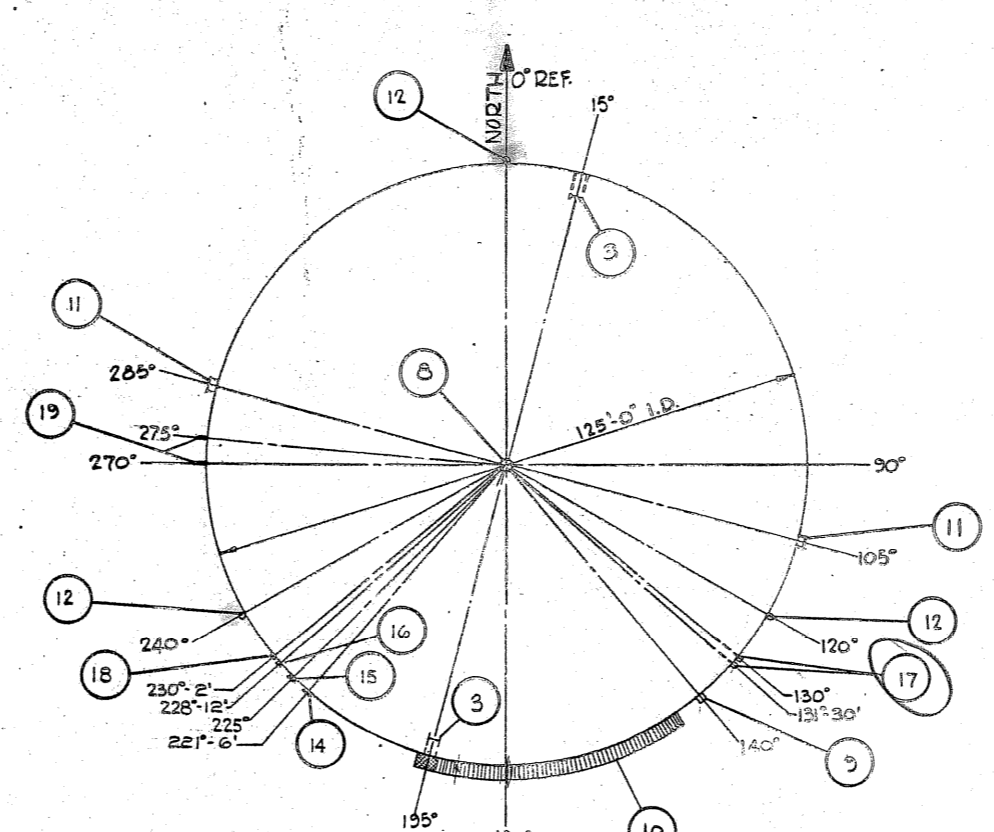
ROOF PLAN - TANKS N<sup>o</sup> 1, 3 & 5  
SCALE: 1" = 20'-0"



ROOF PLAN - TANKS N<sup>o</sup> 2 & 4  
SCALE: 1" = 20'-0"

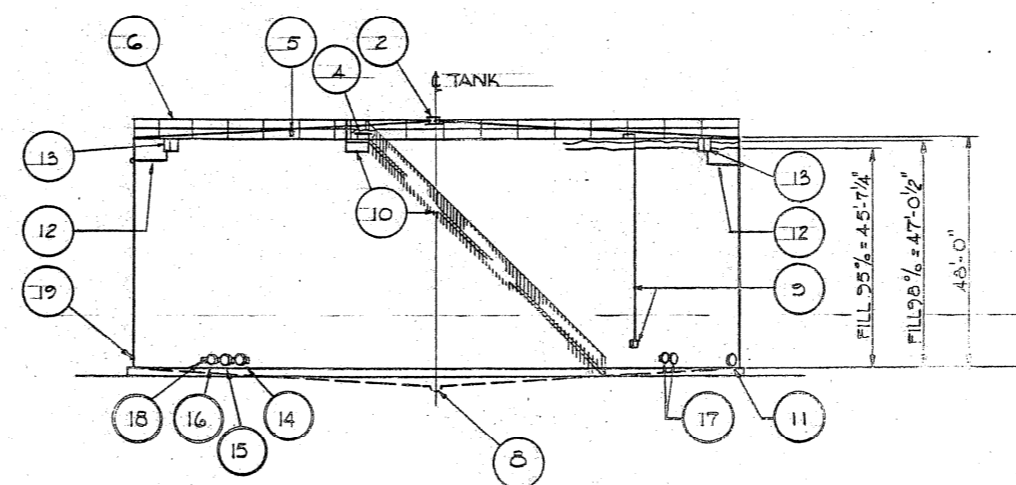
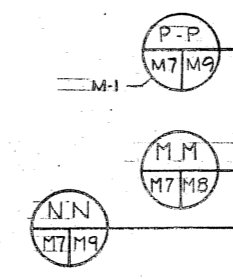


SHELL PLAN - TANKS N<sup>o</sup> 1, 3 & 5  
SCALE: 1" = 20'-0"



SHELL PLAN - TANKS N<sup>o</sup> 2 & 4  
SCALE: 1" = 20'-0"

ITEM	DESCRIPTION	SIZE	QUANTITY	LOCATION
1	SCAFFOLD CABLE SUPPORT	—	1	ROOF
2	PRESSURE VACUUM VENT	—	2	ROOF
3	INTERIOR LADDER	24" DIA.	2	ON SHELL INTERIOR
4	ROOF ACCESS MANHOLE	24" DIA.	2	ROOF
5	HIGH LEVEL ALARM FLANGE	4"	1	ROOF
6	ROOF RAILING	—	1	AROUND PERIMETER OF ROOF
7	SPARE 1/2 BLIND FLANGE	8"	1	ROOF
8	DRAIN SLUMP	24" DIA.	1	ON TANK BOTTOM
9	AUTOMATIC GAGE W/ALARM CONTACTS	—	1	ROOF
10	SPIRAL STAIRS & PLATFORM	—	1	ON SHELL EXTERIOR
11	MANHOLE	30" DIA.	2	ON SHELL
12	FOAM PIPING HEADER	—	2	ON SHELL
13	FOAM CHAMBER	2" DIA.	3	ON SHELL
14	INLET NOZZLE (FILL)	16"	1	ON SHELL
15	OUTLET NOZZLE (SUCTION)	16"	1	ON SHELL
16	LOW SUCTION	6"	1	ON SHELL
17	THERMOWELLS	1"	2	ON SHELL
18	WATER DRAW-OFF	1"	1	ON SHELL
19	GROUNDING LUG	—	2	ON SHELL
20	GAGE HATCH & STILLING WELL	6"	1	ON SHELL INTERIOR



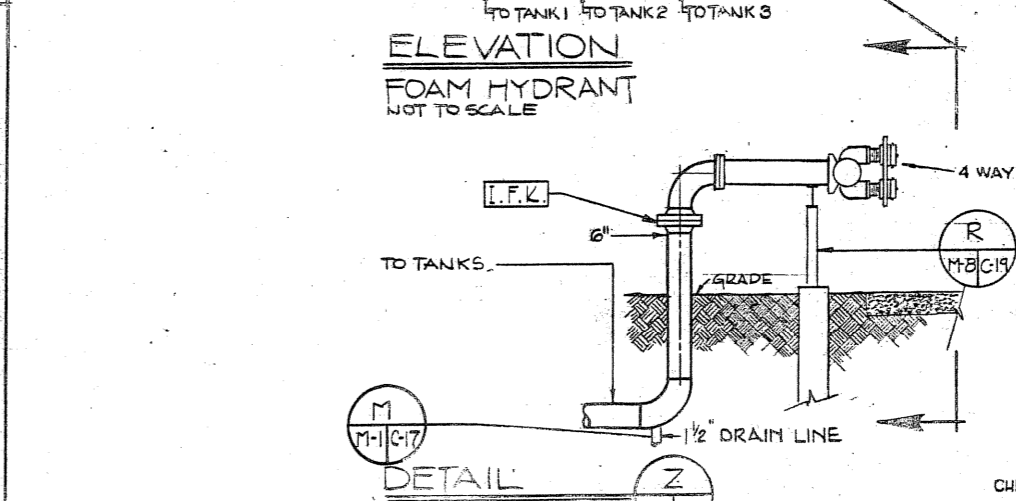
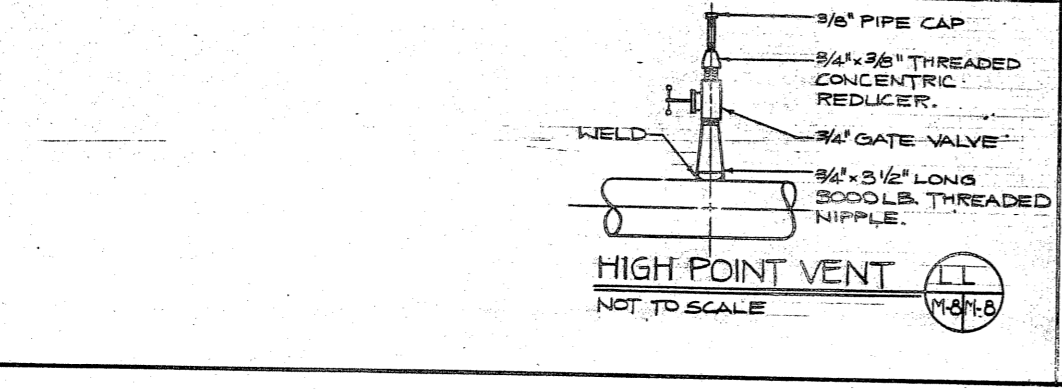
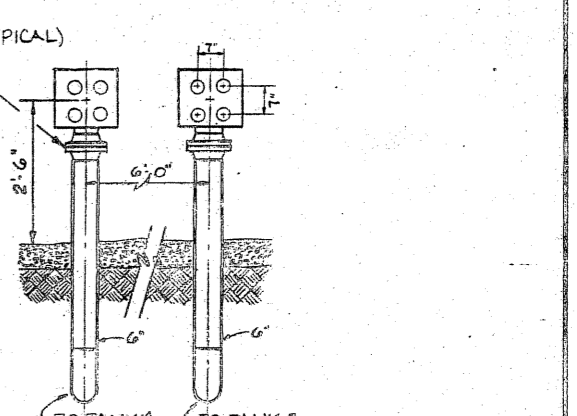
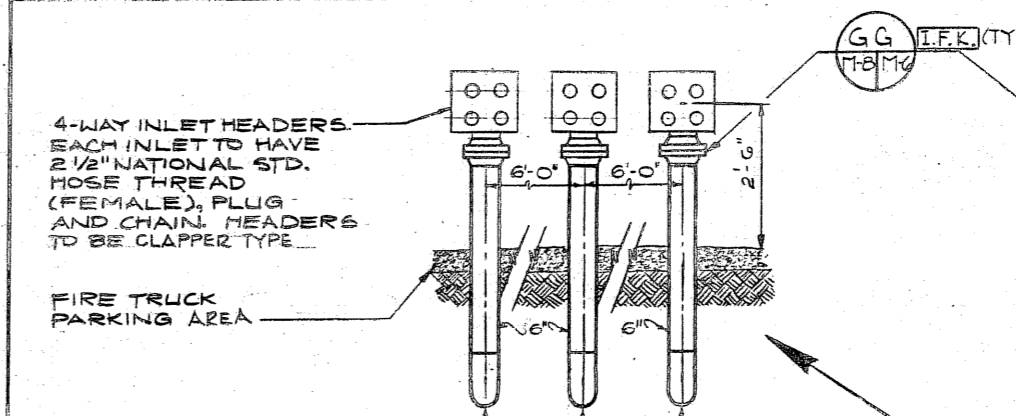
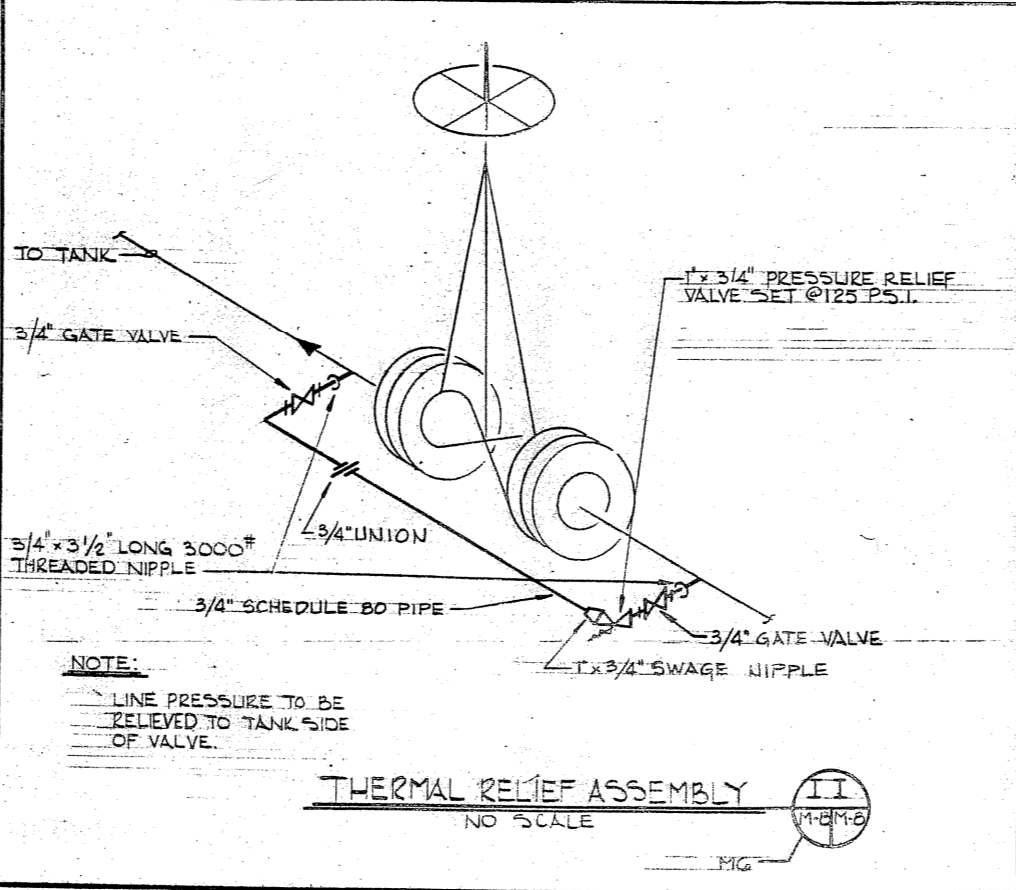
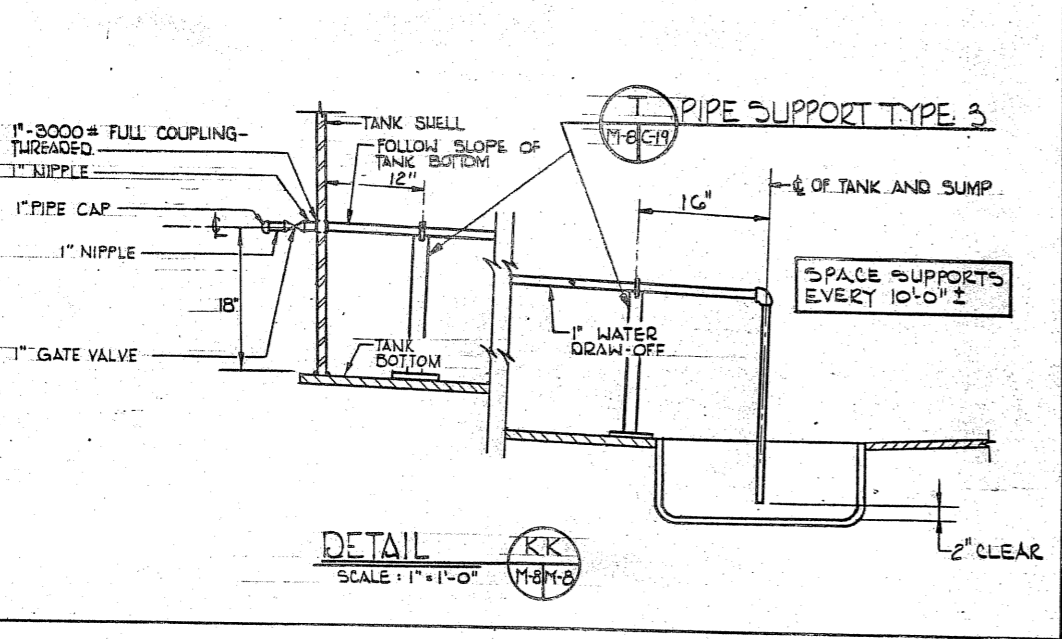
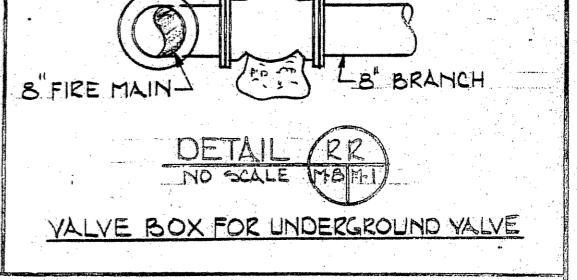
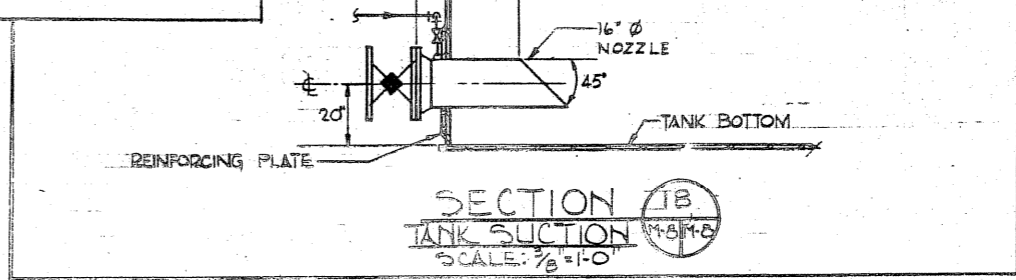
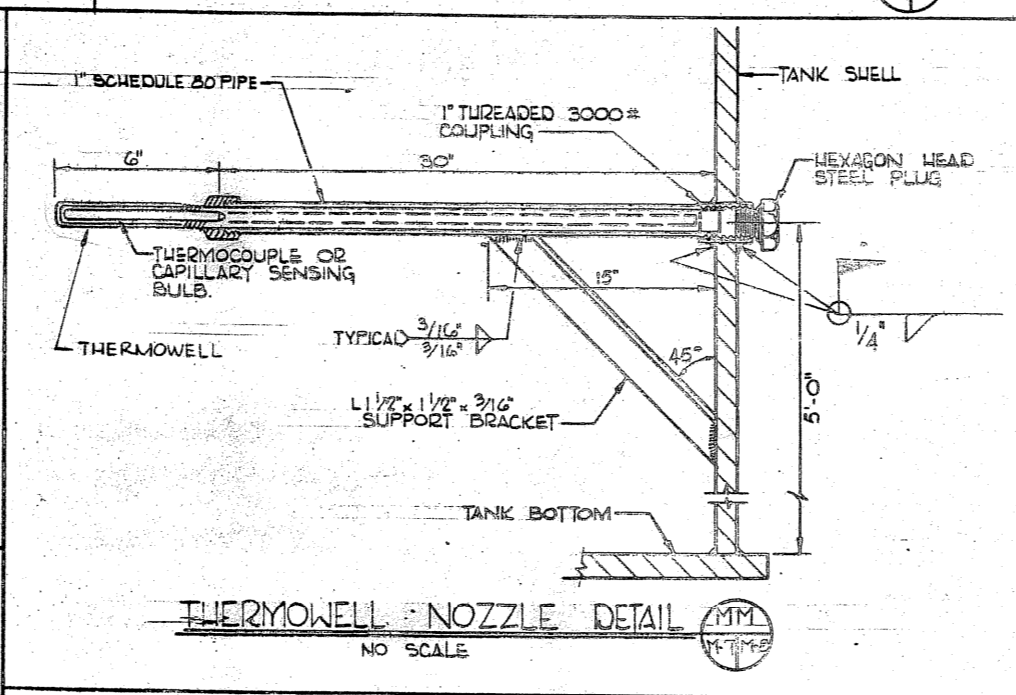
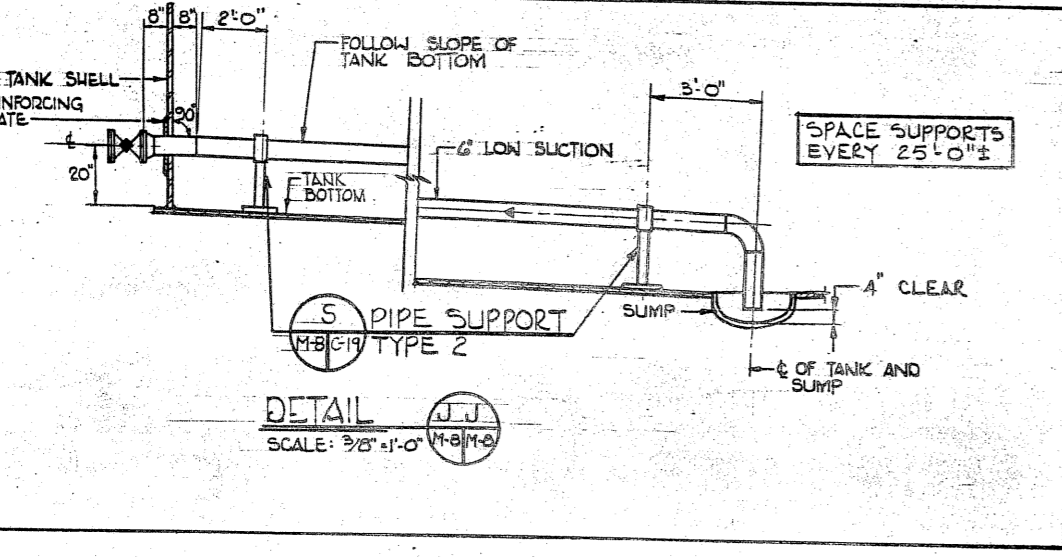
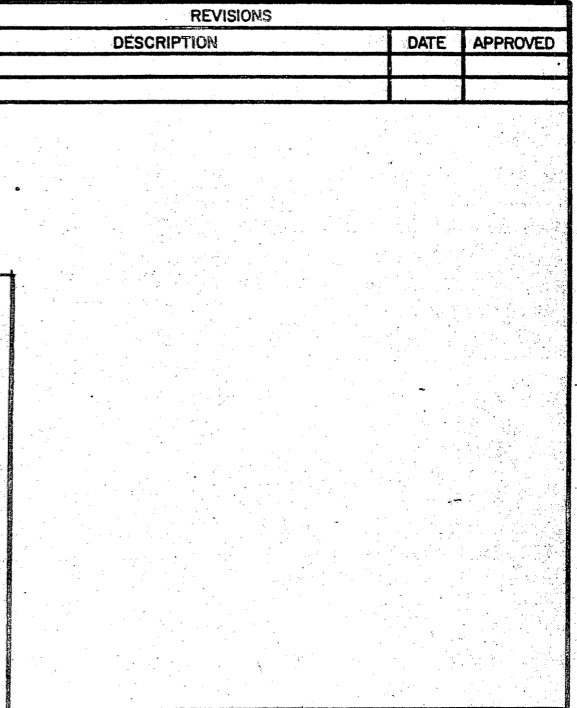
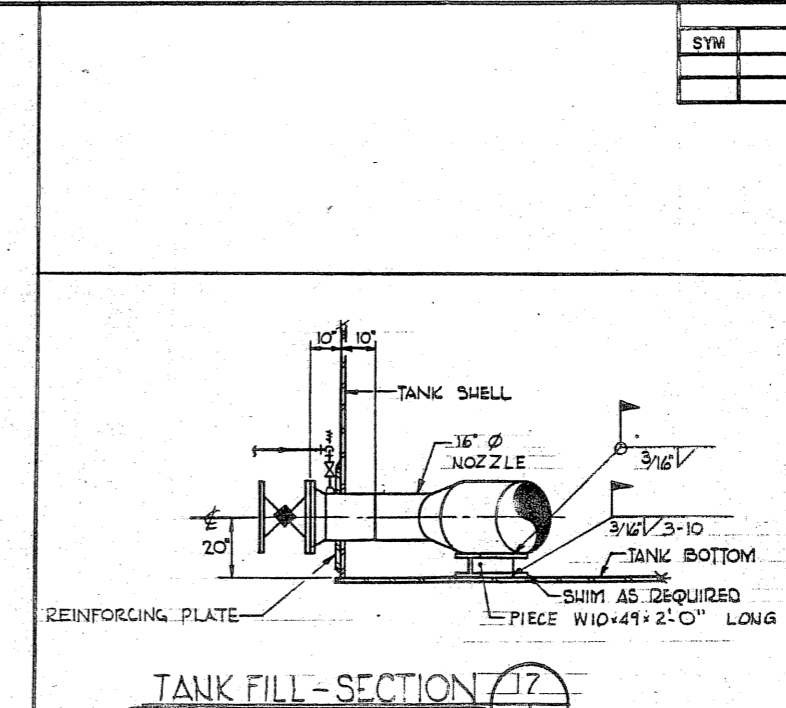
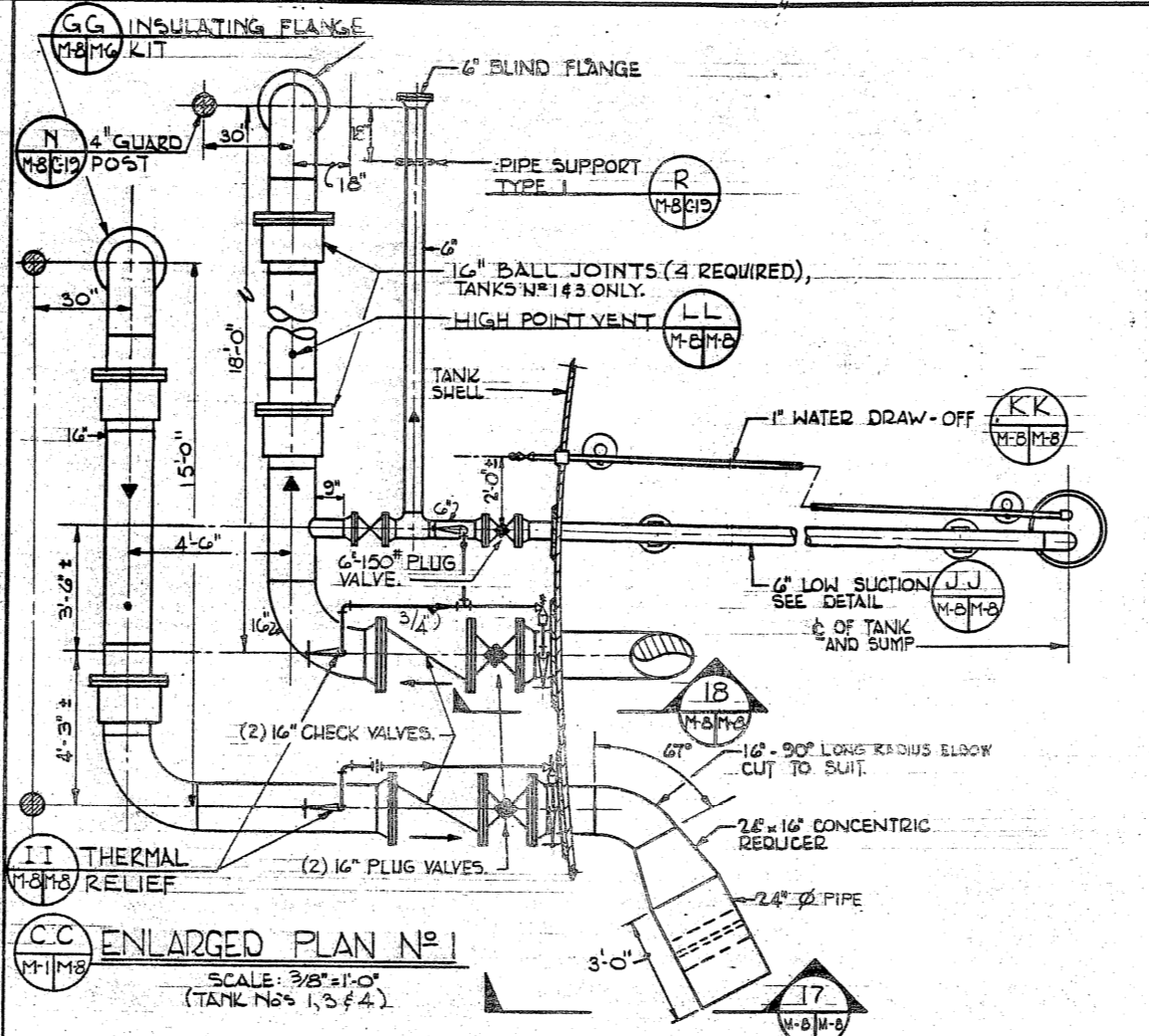
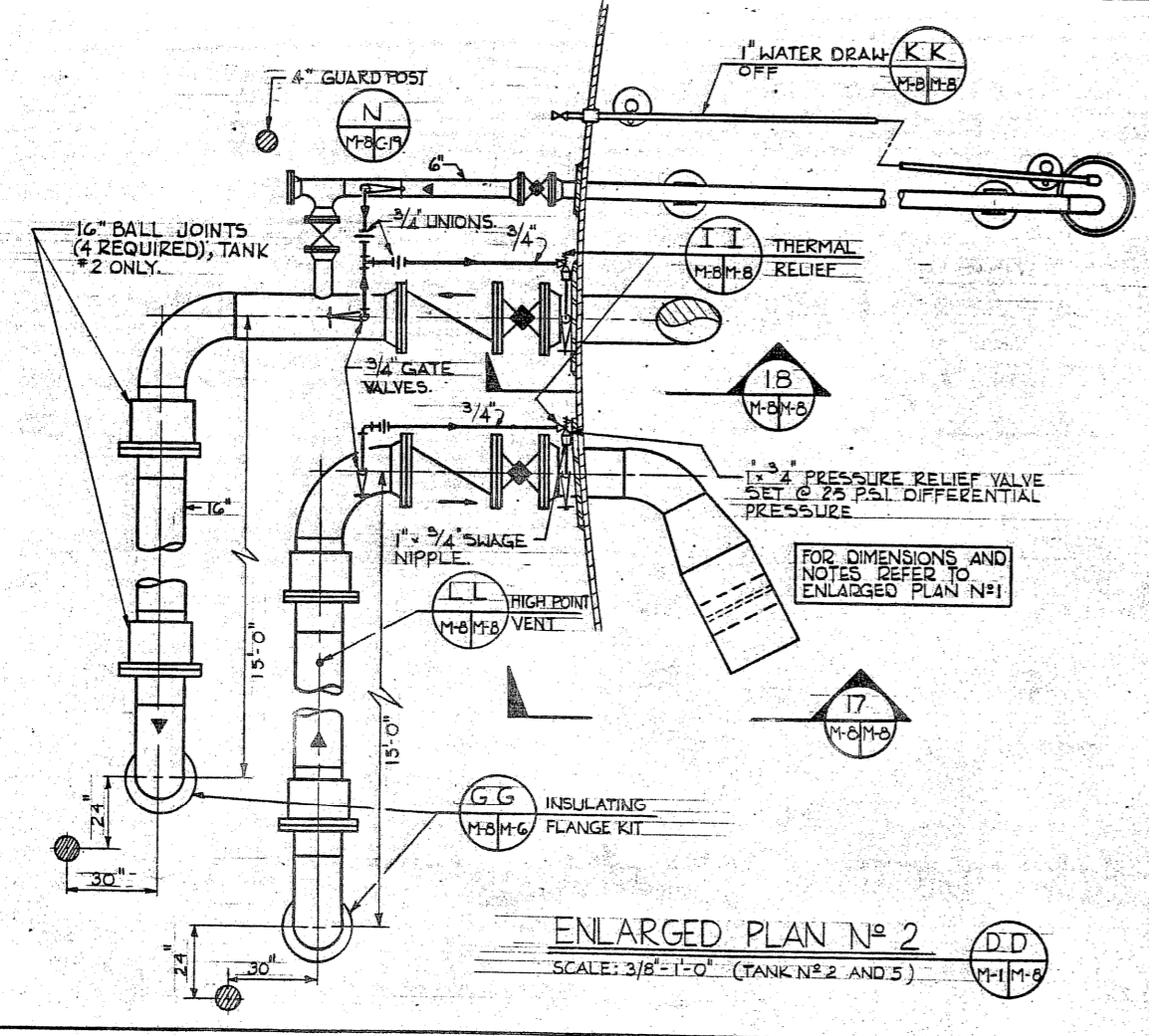
ELEVATION  
SCALE: 1" = 20'-0"  
GRAPHIC SCALE

CHECK GRAPHIC SCALES BEFORE SCALING

M-7

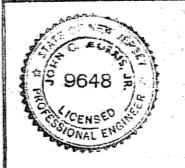
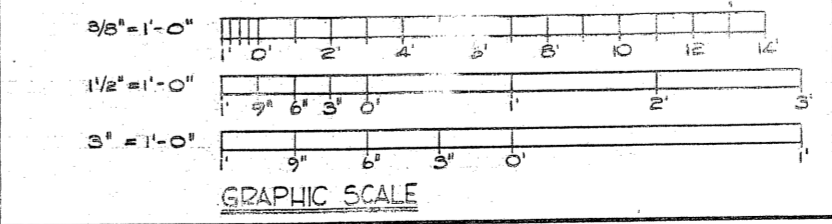
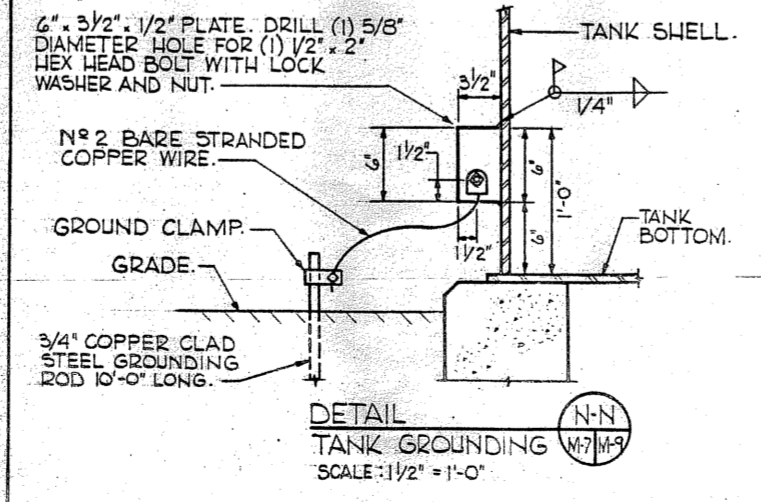
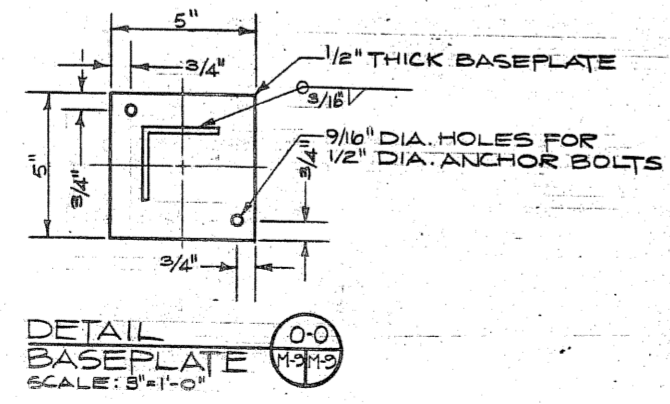
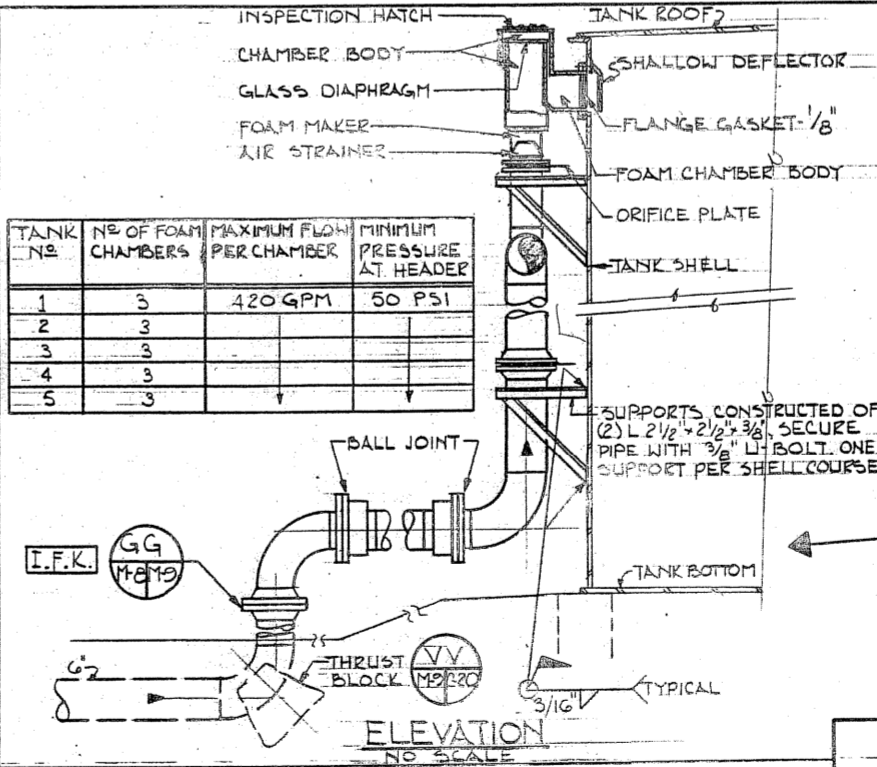
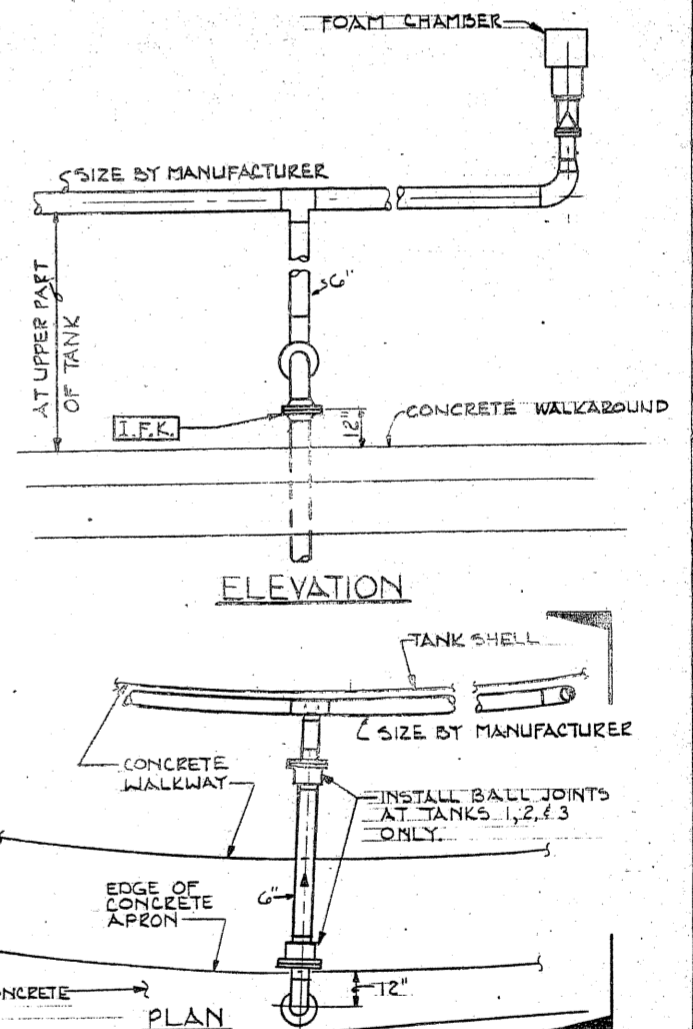
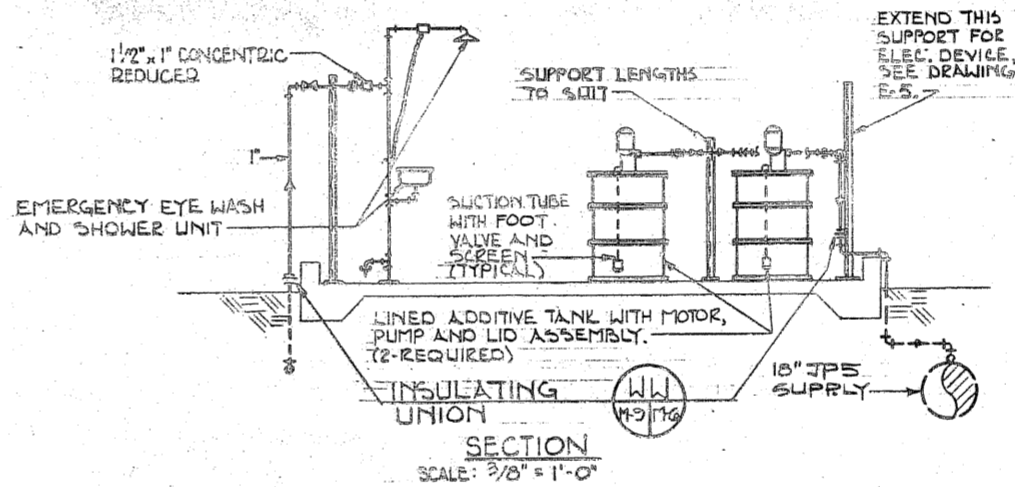
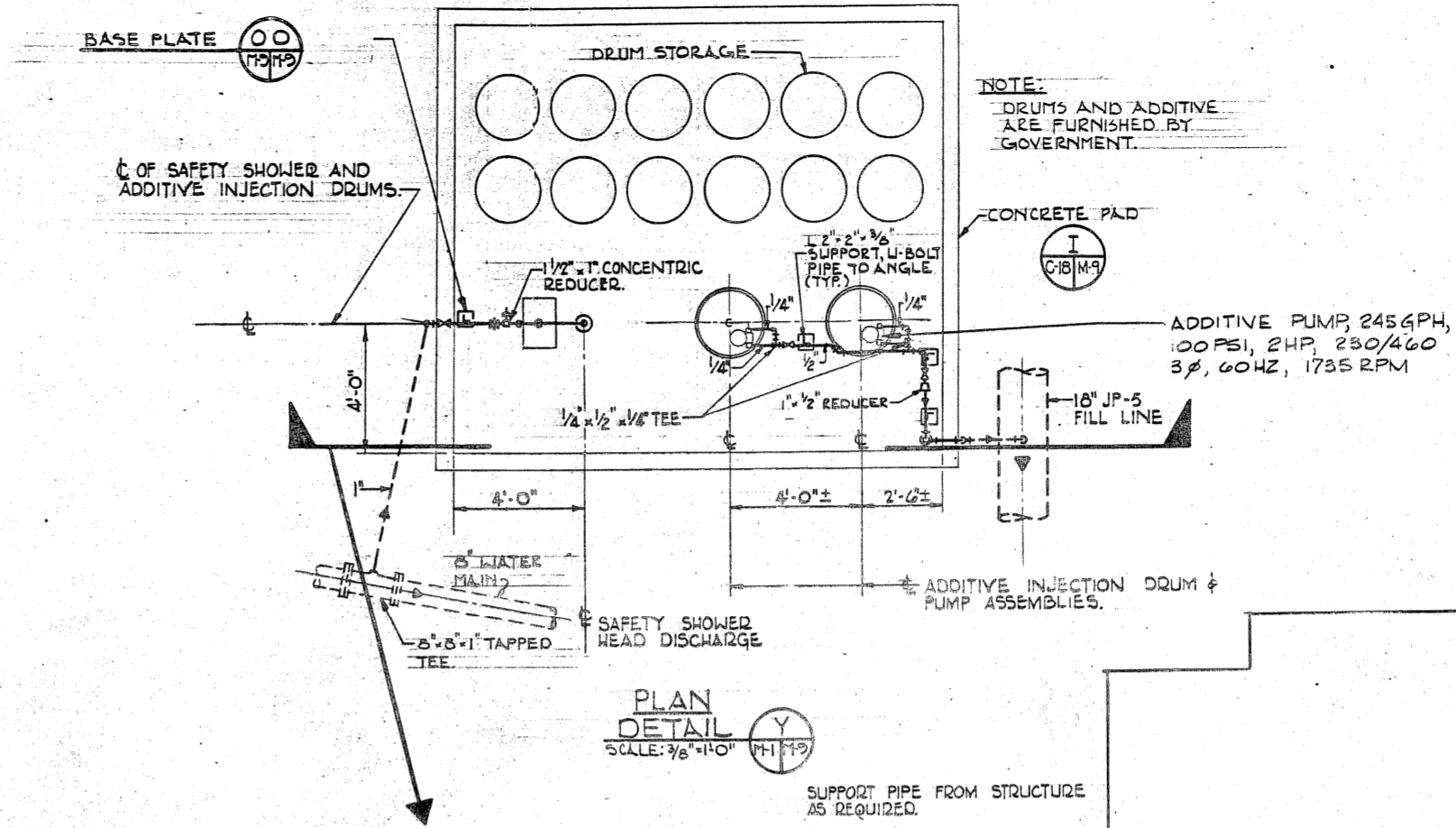
JOHN C. MORRIS ASSOC. CONSULTING ENGINEERS ATLANTIC HIGHLANDS N.J.	DEPARTMENT OF THE NAVY - NAVAL FACILITIES ENGINEERING COMMAND <b>ATLANTIC DIVISION</b> NAVAL STATION NORFOLK, VIRGINIA U.S. NAVAL STATION - ROOSEVELT ROADS, PUERTO RICO <b>FUEL STORAGE</b> DEFENSE FUEL SUPPORT POINT <b>TANKS N<sup>o</sup> 1 - 5 PLAN &amp; ELEVATION</b>
DES. R.D.K. DR. R.H. CHK. E.D.S. PROJ. MGR. J.C.M. II CH. ENGR. M.D. SUBMITTED BY: W.D.A.S. FIRM MEMBER: PRINCIPAL EFD: FF C.A. RVD H.W.V. HD S.D. (102) DIR. 11/85	SIZE: CODE IDENT NO.: NAVFAC DRAWING NO.: <b>F 80091 4125065</b> CONSTR. CONTR. NO. N62470-83-B-3354 SCALE: 1" = 20' SPEC. 05-83-3354
APPROVED: _____ DATE: _____ ACTIVITY SATISFACTORY TO: _____ APPROVED: _____ DATE: _____ FOR EFD FOR COMMANDER NAVFAC	SHEET 31 OF 46 EFD DWG. NO. 225065

REVISIONS			
SYM	DESCRIPTION	DATE	APPROVED



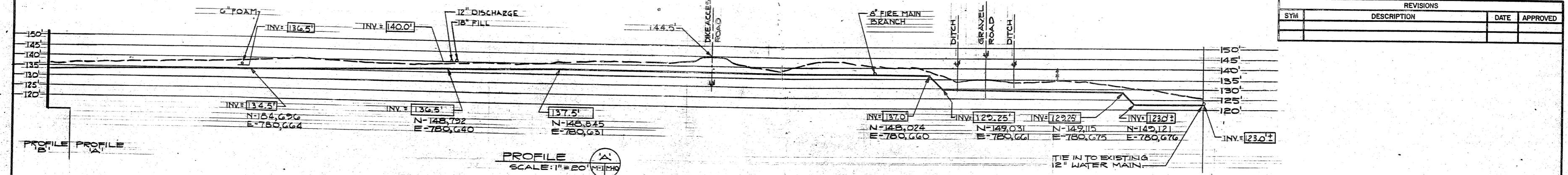
JOHN C. MORRIS ASSOC. CONSULTING ENGINEERS ATLANTIC HIGHLANDS N.J.		DEPARTMENT OF THE NAVY - NAVAL FACILITIES ENGINEERING COMMAND ATLANTIC DIVISION NORFOLK, VIRGINIA	
DES. R.H. DR. K.A.S. I.C.H.E.U.S. PROJ. MGR. J.C.M. III CH. ENGR. N.D.		U.S. NAVAL STATION - ROOSEVELT ROADS, PUERTO RICO	
SUBMITTED BY: [Signature] FIRM MEMBER: [Signature]		FUEL STORAGE DEFENSE FUEL SUPPORT POINT TANK # MISCELLANEOUS DETAILS	
EFD: J.P. [Signature] HD: [Signature]		SIZE: F 80091 NAVFAC DRAWING NO. 4125066	
APPROVED: [Signature]		CONSTR. CONTR. NO. N62470-83-B-3354	
ACTIVITY SATISFACTORY TO: [Signature] APPROVED BY: [Signature]		SCALE: NONE SPEC: 05-83-3354	
DATE: 29 JUN 65		SHEET 32 OF 46	
FOR EFD FOR COMMANDER NAVFAC		EFD DWG. NO. 225066	

REVISIONS			
SYM	DESCRIPTION	DATE	APPROVED

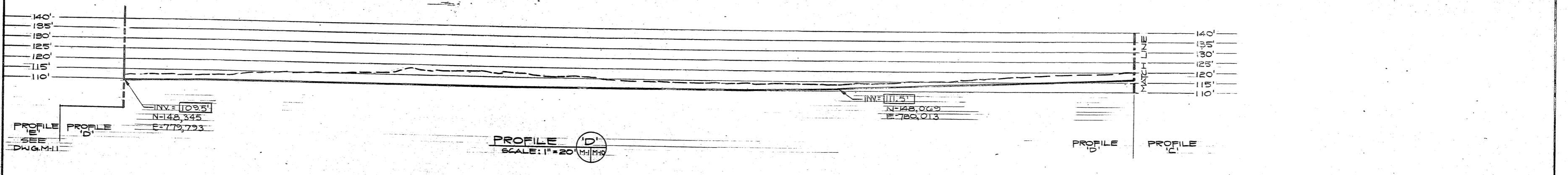
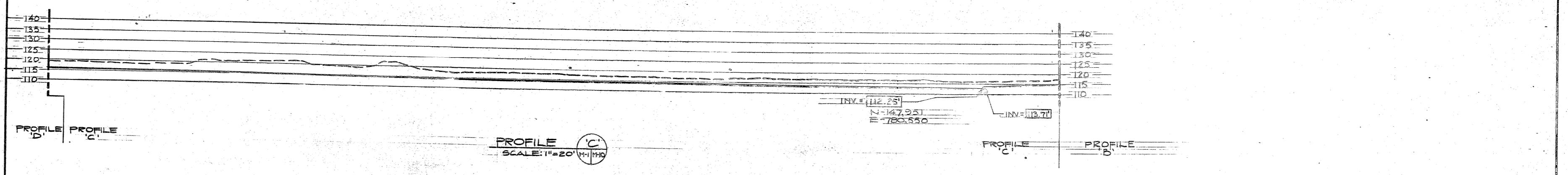
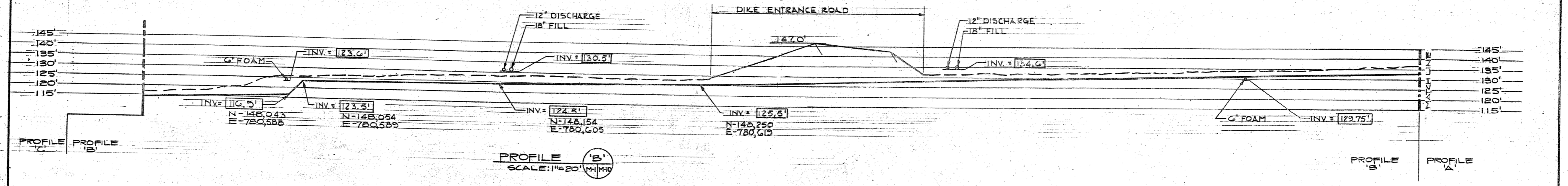


JOHN C. MORRIS ASSOC. CONSULTING ENGINEERS ATLANTIC HIGHLANDS, N.J.	DEPARTMENT OF THE NAVY - NAVAL FACILITIES ENGINEERING COMMAND ATLANTIC DIVISION NAVAL STATION - ROOSEVELT ROADS, PUERTO RICO NORFOLK, VIRGINIA
PROJECT: PPHRCS-F-1101K-E-U.S. SUBMITTED BY: [Signature] FIRM MEMBER: [Signature] EFD: [Signature] HD: [Signature]	U.S. NAVAL STATION - ROOSEVELT ROADS, PUERTO RICO <b>FUEL STORAGE</b> DEFENSE FUEL SUPPORT POINT <b>ADDITIVE INJECTION STATION &amp; DETAILS</b>
APPROVED: [Signature] ACTIVITY SATISFACTORY TO: [Signature] FOR EFD FOR COMMANDER NAVFAC	SIZE: F CODE IDENT NO: 80091 NAVFAC DRAWING NO: 412507 CONSTR. CONTR. NO: N62470-63-B-3354 SCALE: 1" = 20' SPEC: 05-63-3354 SHEET 33 OF 46 EFD DWG. NO. 225067



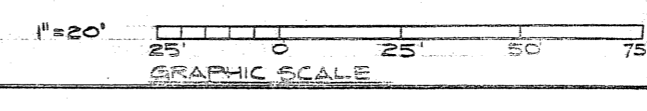


REVISIONS			
SYM	DESCRIPTION	DATE	APPROVED



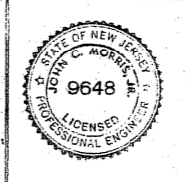
**PROFILE LEGEND**  
 - - - - - EXISTING GRADE.  
 ———— NEW GRADE.  
 ———— NEW FIRE WATER MAIN.

CHECK GRAPHIC SCALE BEFORE SCALING

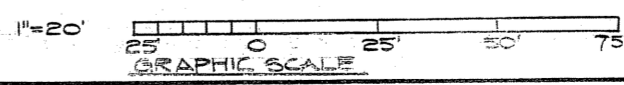
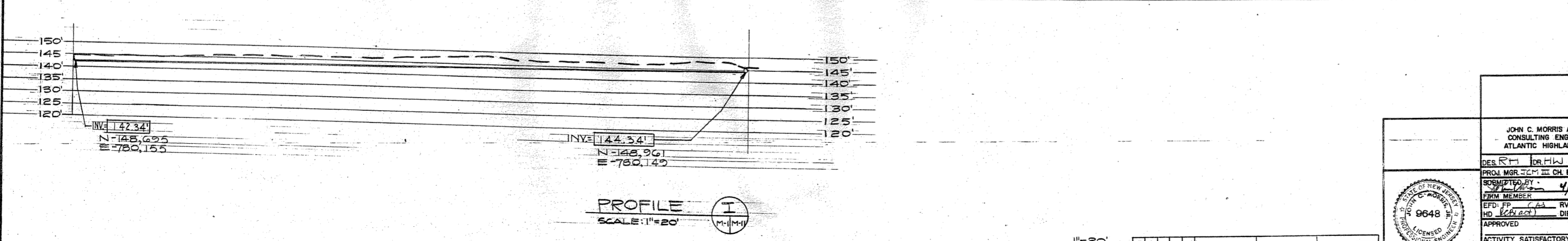
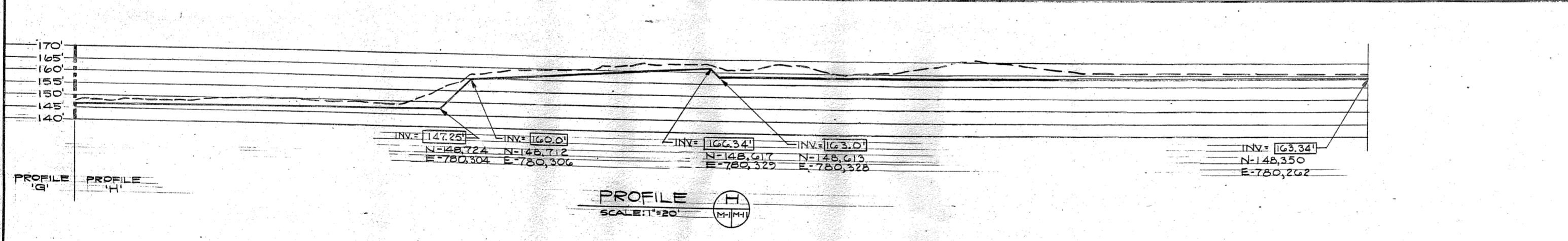
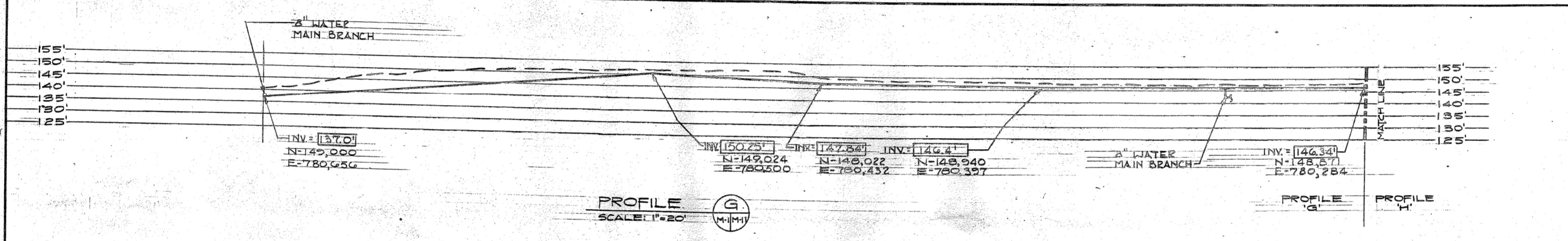
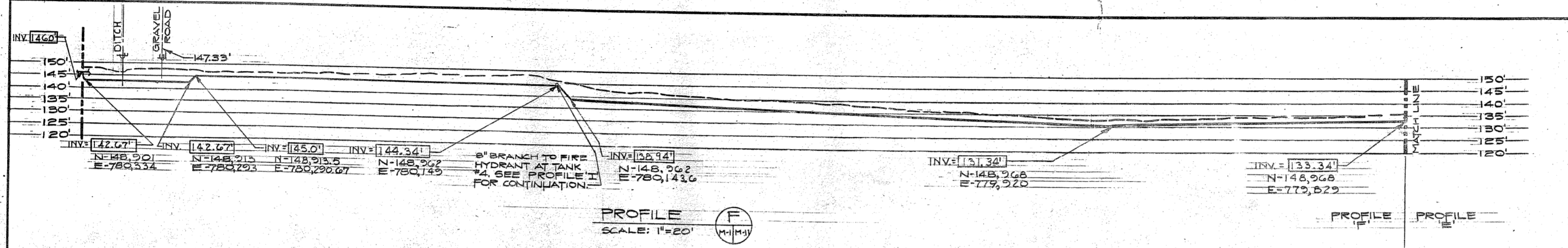
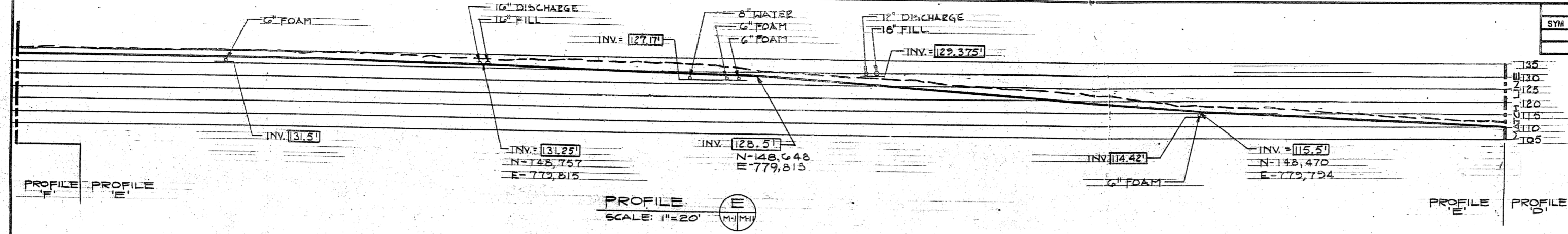


M-10

JOHN C. MORRIS ASSOC. CONSULTING ENGINEERS ATLANTIC HIGHLANDS N.J.		DEPARTMENT OF THE NAVY - NAVAL FACILITIES ENGINEERING COMMAND ATLANTIC DIVISION NAVAL STATION NORFOLK, VIRGINIA	
DESIGNER: RHM	DRAWN: DKR	U.S. NAVAL STATION - ROOSEVELT ROADS, PUERTO RICO	
PROJECT MGR: JCM	CHECKED: ENR	FUEL STORAGE	
DATE: 11/28/83	DATE: 11/28/83	DEFENSE FUEL SUPPORT POINT	
MEMBER: [Signature]	PRINCIPAL: [Signature]	PIPING PROFILES A, B, C, D	
APPROVED: [Signature]	DATE: 11/28/83	SIZE: F	CODE IDENT NO: 80091
ACTIVITY SATISFACTORY TO: [Signature]	DATE: 11/28/83	NAVFAC DRAWING NO. 4125068	
APPROVED: [Signature]	DATE: 11/28/83	CONSTR. CONTR. NO. N62470-83-B-3354	
FOR EPD FOR COMMANDER NAVFAC	SCALE: 1"=20'	SPEC: 05-83-3354	SHEET 34 OF 46



REVISIONS			
SYM	DESCRIPTION	DATE	APPROVED



CHECK GRAPHIC SCALE BEFORE SCALING

M-11

JOHN C. MORRIS ASSOC. CONSULTING ENGINEERS ATLANTIC HIGHLANDS N.J.	DEPARTMENT OF THE NAVY - NAVAL FACILITIES ENGINEERING COMMAND ATLANTIC DIVISION NAVAL STATION NORFOLK, VIRGINIA
DESIGNED BY: [Signature] PROJECT MANAGER: [Signature] SUBMITTED BY: [Signature] FIRM MEMBER: [Signature] APPROVED: [Signature]	U.S. NAVAL STATION - ROOSEVELT ROADS, PUERTO RICO FUEL STORAGE DEFENSE FUEL SUPPORT POINT PIPING PROFILES E,F,G,H,I
ACTIVITY SATISFACTORY TO APPROVED: [Signature] DATE: 11/22/88 FOR EFD FOR COMMANDER NAVFAC	SIZE: F CODE IDENT NO: 80091 NAVFAC DRAWING NO: 4125069 CONSTR. CONTR. NO: N62470-83-B-3354 SCALE: 1"=20' SPEC: 05-83-3354

9648

EPD DWG. NO. 225069